

SUMMARY

Wires

Low voltage 19



Image is for illustrative purpose only

| | |
|------------------|----------------------------------|
| Series | 2P |
| Termination type | Female solder |
| IP rating | 50 |
| AWG wire size | 30.00 - 22.00 |
| Cable Ø | 0.00 - 0.00 mm |
| Status | active |
| Matching parts | CAB.M19.GLA.C52J |

Download

[Request a quote](#)

[Catalog](#)

TECHNICAL DETAILS

Mechanics

| | |
|-------------------|--|
| Shell Style/Model | CK*: Fixed receptacle with two nuts (back panel mounting) |
| Keying | 3 keys (alpha=0, gamma=60; Plug: male contacts; Receptacle: female contacts) |
| Housing Material | PSU (Polysulfone), gray |
| Weight | 7.03 g |

Performance

| | |
|---------------|-----------------------------|
| Configuration | 2P.M19 : 19 Low V. |
| Insulator | L: PEEK for solder contacts |
| Rated Current | 5 Amps |

Specifications

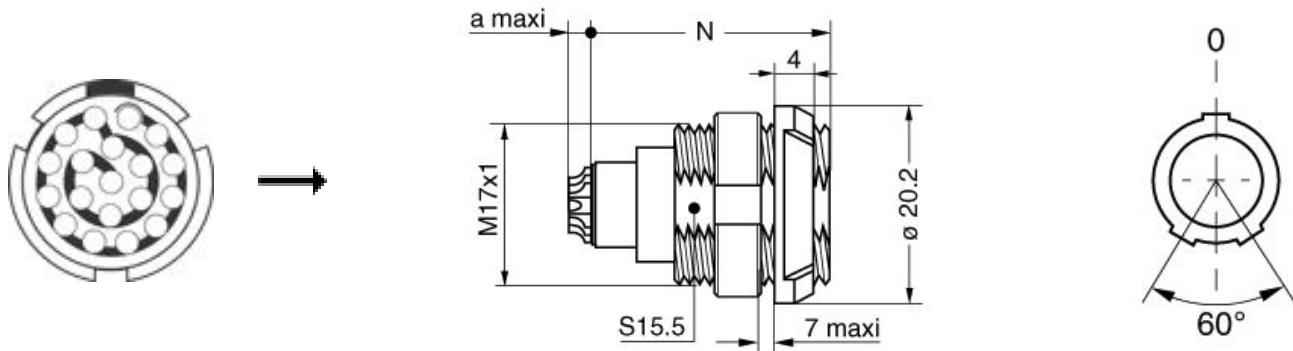
| | |
|--|------------------|
| Contact Type: | Solder |
| Contact Dia.: | 0.7 mm (0.027in) |
| Bucket Dia.: | 0.8 mm (0.031in) |
| Test voltage (kV rms) Contact-contact: | 1.4 |
| Air clearance min.: | 0.6 mm |
| Creepage distance min.: | 0.6 mm |

Others

LEMO products and services are provided "as is". LEMO makes no warranties or representations with regard to LEMO product & services or use of them, express, implied or statutory, including for accuracy, completeness, or security. The user is fully responsible for his products and applications using LEMO components.

Endurance (Shell): >1000 mating cycles
 Temp (min / max): -50°C / +150°C
 F ret (min): 150 N
 F ret (max): 250 N
 Steam sterilization: 20 times

DRAWINGS



Dimensions

| | N | a |
|-----|------|---------|
| mm. | 23.8 | 3.4-4.9 |
| in. | 0,94 | 0,13 |

RECOMMENDED BY LEMO

Tools

LEMO products and services are provided "as is". LEMO makes no warranties or representations with regard to LEMO product & services or use of them, express, implied or statutory, including for accuracy, completeness, or security. The user is fully responsible for his products and applications using LEMO components.

Mouser Electronics

Authorized Distributor

Click to View Pricing, Inventory, Delivery & Lifecycle Information:

[LEMO:](#)

[CKB.M19.GLLJ](#)