

SUMMARY

Wires

Low voltage 16



Image is for illustrative purpose only

Series 2P
Termination type
IP rating 50
AWG wire size 30.00 - 22.00
Cable Ø 0.00 - 0.00 mm
Status active
Matching parts [CAB.M16.GLA.C52G](#)

Download

[Request a quote](#)
[Catalog](#)

TECHNICAL DETAILS

Mechanics

Shell Style/Model CK*: Fixed receptacle with two nuts (back panel mounting)
Keying 3 keys (alpha=0, gamma=60; Plug: male contacts; Receptacle: female contacts)
Housing Material PSU (Polysulfone), gray
Weight 9.30 g

Performance

Configuration 2P.M16 : 16 Low V.
Insulator L: PEEK for solder contacts
Rated Current 6 Amps

Specifications

Test voltage (kV rms) Contact-contact: 1.5
Air clearance min.: 0.65 mm
Creepage distance min.: 0.65 mm

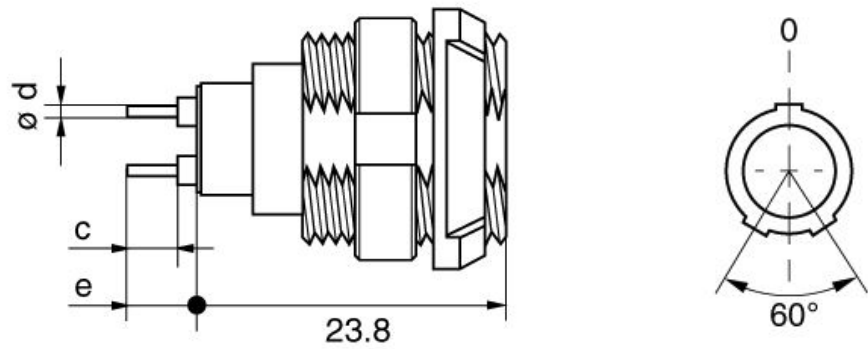
Others

Endurance (Shell): >1000 mating cycles
Temp (min / max): -50°C / +150°C
F ret (min): 150 N

LEMO products and services are provided "as is". LEMO makes no warranties or representations with regard to LEMO product & services or use of them, express, implied or statutory, including for accuracy, completeness, or security. The user is fully responsible for his products and applications using LEMO components.

F ret (max): 250 N
Steam sterilization: 20 times

DRAWINGS



Dimensions

	N	c	d	e
mm.	23.8	3.0-5.7	0.5-0.7	3.0-6.0
in.	0,94	0,12	0,02	0,12

RECOMMENDED BY LEMO

Tools

LEMO products and services are provided "as is". LEMO makes no warranties or representations with regard to LEMO product & services or use of them, express, implied or statutory, including for accuracy, completeness, or security. The user is fully responsible for his products and applications using LEMO components.

Mouser Electronics

Authorized Distributor

Click to View Pricing, Inventory, Delivery & Lifecycle Information:

[LEMO:](#)

[CKB.M16.GLYG](#)