

## SUMMARY

### # Wires

Low voltage 8



*Image is for illustrative purpose only*

Series 2P  
Termination type Female crimp  
IP rating 50  
AWG wire size 0.00 - 0.00  
Cable Ø 0.00 - 0.00 mm  
Status active

### Download

[Request a quote](#)

[Catalog](#)

## TECHNICAL DETAILS

### Mechanics

Shell Style/Model CK\*: Fixed receptacle with two nuts (back panel mounting)  
Keying 3 keys (alpha=0, gamma=60; Plug: male contacts; Receptacle: female contacts)  
Housing Material PSU (Polysulfone), black  
Weight 7.22 g

### Performance

Configuration 2P.M08 : 8 Low V.  
Insulator Y: PEEK for crimp contacts  
Rated Current 10 Amps

### Specifications

Test voltage (kV rms) Contact-contact: 1.5  
Air clearance min.: 1.55 mm  
Creepage distance min.: 1.55 mm

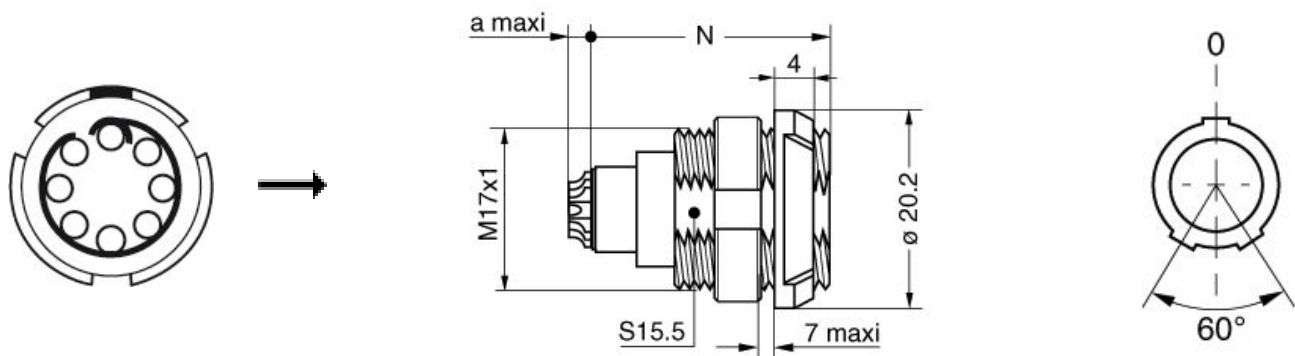
### Others

Endurance (Shell): >1000 mating cycles  
Temp (min / max): -50°C / +150°C  
F ret (min): 150 N

*LEMO products and services are provided "as is". LEMO makes no warranties or representations with regard to LEMO product & services or use of them, express, implied or statutory, including for accuracy, completeness, or security. The user is fully responsible for his products and applications using LEMO components.*

F ret (max): 250 N  
Steam sterilization: 20 times

## DRAWINGS



### Dimensions

	N	a
mm.	25.1	0
in.	0,99	0,00

## RECOMMENDED BY LEMO

### Tools

Crimp Tool:	<a href="#">DPC.91.701.V</a>
Crimp settings:	AWG/Selector = 20-22-24/6-5-5
Positionner:	<a href="#">DCE.91.092.BVM</a>
Extractor:	<a href="#">DCF.91.090.2LT</a>
Replacement contact:	EGG.2B.660.ZZM

LEMO products and services are provided "as is". LEMO makes no warranties or representations with regard to LEMO product & services or use of them, express, implied or statutory, including for accuracy, completeness, or security. The user is fully responsible for his products and applications using LEMO components.

# Mouser Electronics

Authorized Distributor

Click to View Pricing, Inventory, Delivery & Lifecycle Information:

[LEMO:](#)

[CKB.M08.NYMN](#)