

## SUMMARY

### # Wires

Low voltage 2



*Image is for illustrative purpose only*

Series	2P
Termination type	Female solder
IP rating	50
AWG wire size	22.00 - 14.00
Cable Ø	0.00 - 0.00 mm
Status	active
Matching parts	<a href="#">CAB.M02.GLA.C52G</a>

### Download

[Request a quote](#)

[Eplan](#)

[Catalog](#)

## TECHNICAL DETAILS

### Mechanics

Shell Style/Model	CK*: Fixed receptacle with two nuts (back panel mounting)
Keying	3 keys (alpha=0, gamma=60; Plug: male contacts; Receptacle: female contacts)
Housing Material	PSU (Polysulfone), gray
Weight	5.76 g

### Performance

Configuration	2P.M02 : 2 Low V.
Insulator	L: PEEK for solder contacts
Rated Current	30 Amps

### Specifications

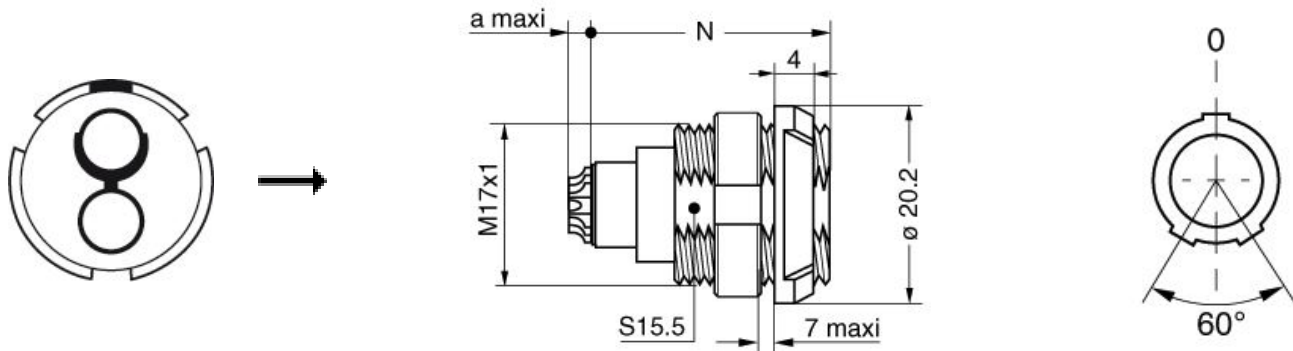
Contact Type:	Solder
Contact Dia.:	2.0 mm (0.078in)
Bucket Dia.:	1.8 mm (0.070in)
Test voltage (kV rms) Contact-contact:	2.1
Air clearance min.:	1.7 mm
Creepage distance min.:	1.7 mm

### Others

LEMO products and services are provided "as is". LEMO makes no warranties or representations with regard to LEMO product & services or use of them, express, implied or statutory, including for accuracy, completeness, or security. The user is fully responsible for his products and applications using LEMO components.

Endurance (Shell): >1000 mating cycles  
 Temp (min / max): -50°C / +150°C  
 F ret (min): 150 N  
 F ret (max): 250 N  
 Steam sterilization: 20 times

## DRAWINGS



### Dimensions

	N	a
mm.	23.8	3.4-4.9
in.	0,94	0,13

## RECOMMENDED BY LEMO

### Tools

*LEMO products and services are provided "as is". LEMO makes no warranties or representations with regard to LEMO product & services or use of them, express, implied or statutory, including for accuracy, completeness, or security. The user is fully responsible for his products and applications using LEMO components.*

# Mouser Electronics

Authorized Distributor

Click to View Pricing, Inventory, Delivery & Lifecycle Information:

[LEMO:](#)

[CKB.M02.GLLG](#)