

SUMMARY

Wires

Low voltage 26



Image is for illustrative purpose only

Series 2P
Termination type Male solder
IP rating 50
AWG wire size 34.00 - 28.00
Cable Ø 3.20 - 5.20 mm
Status active
Matching parts [CKB.M26.SLLG](#)

Download

[Request a quote](#)

[Eplan](#)

[Catalog](#)

TECHNICAL DETAILS

Mechanics

Shell Style/Model CA*: Straight plug with cable collet and nut for fitting a bend relief
Keying 3 keys (alpha=0, gamma=60; Plug: male contacts; Receptacle: female contacts)
Housing Material PEI (Polyetherimide), gray
Weight 9.46 g

Performance

Configuration 2P.M26 : 26 Low V.
Insulator L: PEEK for solder contacts
Rated Current 2 Amps

Specifications

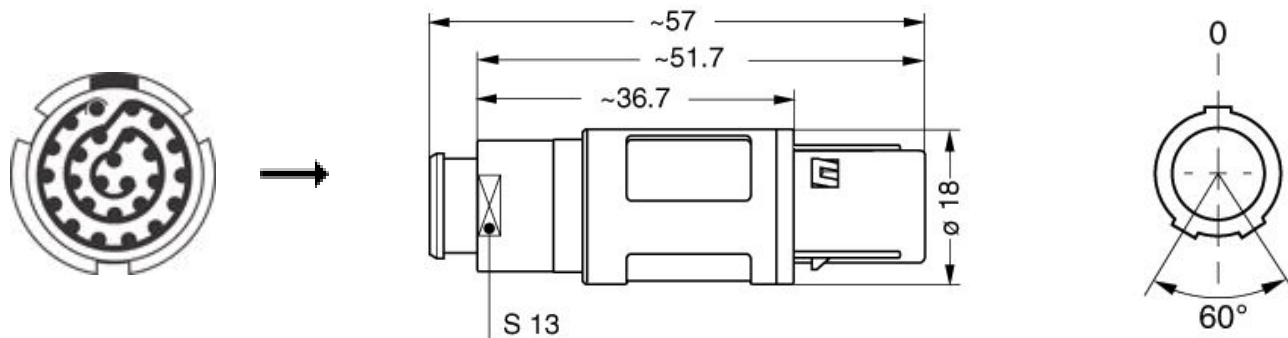
Contact Type: Solder
Contact Dia.: 0.5 mm (0.019in)
Bucket Dia.: 0.5 mm (0.019in)
Test voltage (kV rms) Contact-contact: 1
Air clearance min.: 0.55 mm
Creepage distance min.: 0.55 mm

Others

LEMO products and services are provided "as is". LEMO makes no warranties or representations with regard to LEMO product & services or use of them, express, implied or statutory, including for accuracy, completeness, or security. The user is fully responsible for his products and applications using LEMO components.

Endurance (Shell): >1000 mating cycles
Temp (min / max): -50°C / +170°C
F ret (min): 150 N
F ret (max): 250 N
Steam sterilization: > 100 times (with potting on rear connection)

DRAWINGS



RECOMMENDED BY LEMO

Tools

LEMO products and services are provided "as is". LEMO makes no warranties or representations with regard to LEMO product & services or use of them, express, implied or statutory, including for accuracy, completeness, or security. The user is fully responsible for his products and applications using LEMO components.

Mouser Electronics

Authorized Distributor

Click to View Pricing, Inventory, Delivery & Lifecycle Information:

[LEMO:](#)

[CAB.M26.SLA.C52GZ](#)