

## SUMMARY

### # Wires

Low voltage 19



*Image is for illustrative purpose only*

Series 2P  
Termination type Male solder  
IP rating 50  
AWG wire size 0.00 - 0.00  
Cable Ø 7.30 - 9.20 mm  
Status active  
Matching parts [CKB.M19.SLNG](#)

### Download

[Request a quote](#)

[Eplan](#)

[Catalog](#)

## TECHNICAL DETAILS

### Mechanics

Shell Style/Model CA\*: Straight plug with cable collet and nut for fitting a bend relief  
Keying 3 keys (alpha=0, gamma=60; Plug: male contacts; Receptacle: female contacts)  
Housing Material PEI (Polyetherimide), gray  
Weight 9.65 g

### Performance

Configuration 2P.M19 : 19 Low V.  
Insulator L: PEEK for solder contacts  
Rated Current 5 Amps

### Specifications

Test voltage (kV rms) Contact-contact: 1.4  
Air clearance min.: 0.62 mm  
Creepage distance min.: 0.6 mm

### Others

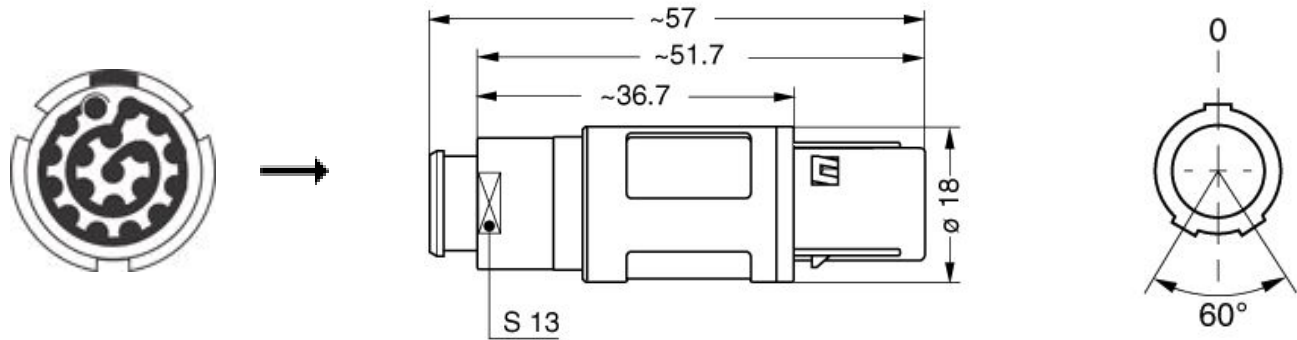
Endurance (Shell): >1000 mating cycles  
Temp (min / max): -50° C / +170° C  
F ret (min): 150 N

*LEMO products and services are provided "as is". LEMO makes no warranties or representations with regard to LEMO product & services or use of them, express, implied or statutory, including for accuracy, completeness, or security. The user is fully responsible for his products and applications using LEMO components.*

F ret (max): 250 N  
Steam sterilization: > 100 times (with potting on rear connection)

---

## DRAWINGS



---

## RECOMMENDED BY LEMO

### Tools

*LEMO products and services are provided "as is". LEMO makes no warranties or representations with regard to LEMO product & services or use of them, express, implied or statutory, including for accuracy, completeness, or security. The user is fully responsible for his products and applications using LEMO components.*

# Mouser Electronics

Authorized Distributor

Click to View Pricing, Inventory, Delivery & Lifecycle Information:

[LEMO:](#)

[CAB.M19.SLA.C92GZ](#)