

## SUMMARY

### # Wires

Low voltage 16



*Image is for illustrative purpose only*

Series 2P  
Termination type Male solder  
IP rating 50  
AWG wire size 30.00 - 22.00  
Cable Ø 5.30 - 7.20 mm  
Status active  
Matching parts [CKB.M16.GLLG](#)

### Download

[Request a quote](#)

[Eplan](#)

[Catalog](#)

## TECHNICAL DETAILS

### Mechanics

Shell Style/Model CA\*: Straight plug with cable collet  
Keying 3 keys (alpha=0, gamma=60; Plug: male contacts; Receptacle: female contacts)  
Housing Material PSU (Polysulfone), gray  
Weight 8.83 g

### Performance

Configuration 2P.M16 : 16 Low V.  
Insulator L: PEEK for solder contacts  
Rated Current 6 Amps

### Specifications

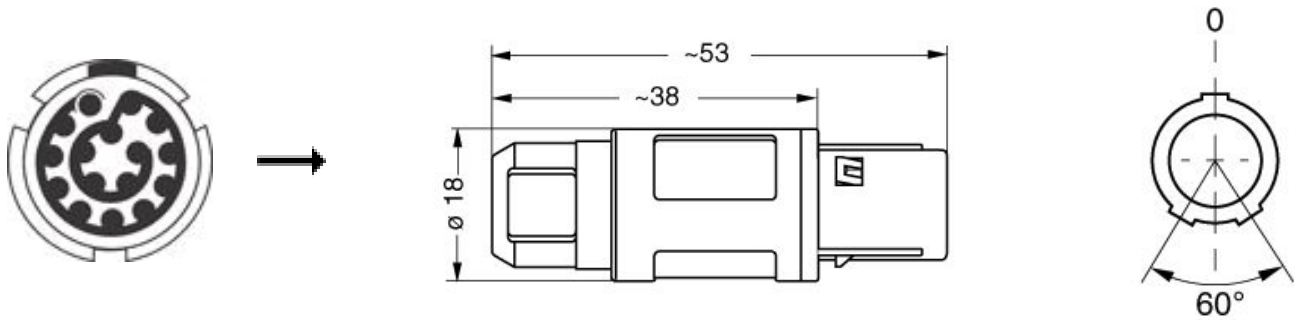
Contact Type: Solder  
Contact Dia.: 0.7 mm (0.027in)  
Bucket Dia.: 0.8 mm (0.031in)  
Test voltage (kV rms) Contact-contact: 1.5  
Air clearance min.: 0.47 mm  
Creepage distance min.: 0.47 mm

### Others

*LEMO products and services are provided "as is". LEMO makes no warranties or representations with regard to LEMO product & services or use of them, express, implied or statutory, including for accuracy, completeness, or security. The user is fully responsible for his products and applications using LEMO components.*

Endurance (Shell): >1000 mating cycles  
 Temp (min / max): -50°C / +150°C  
 F ret (min): 150 N  
 F ret (max): 250 N  
 Steam sterilization: 20 times (with potting on rear connection)

## DRAWINGS



## RECOMMENDED BY LEMO

### Tools

### Cables

CMN.16.T28.059PGZE		Grey	
CMN.16.T28.059PNZE			
CMN.16.T28.070NNZZ			

116080	PUR	Black	
116280	PVC	Black	
216260	PVC	Black	

LEMO products and services are provided "as is". LEMO makes no warranties or representations with regard to LEMO product & services or use of them, express, implied or statutory, including for accuracy, completeness, or security. The user is fully responsible for his products and applications using LEMO components.

# Mouser Electronics

Authorized Distributor

Click to View Pricing, Inventory, Delivery & Lifecycle Information:

[LEMO:](#)

[CAB.M16.GLA.C72G](#)