

## SUMMARY

### # Wires

Low voltage 16



Image is for illustrative purpose only

Series 2P  
Termination type Male solder  
IP rating 50  
AWG wire size 30.00 - 22.00  
Cable Ø 3.20 - 5.20 mm  
Status active  
Matching parts [CKB.M16.GLLN](#)

### Download

[Request a quote](#)

[Eplan](#)

[Catalog](#)

## TECHNICAL DETAILS

### Mechanics

Shell Style/Model CA\*: Straight plug with cable collet  
Keying 3 keys (alpha=0, gamma=60; Plug: male contacts; Receptacle: female contacts)  
Housing Material PSU (Polysulfone), gray  
Weight 8.88 g

### Performance

Configuration 2P.M16 : 16 Low V.  
Insulator L: PEEK for solder contacts  
Rated Current 6 Amps

### Specifications

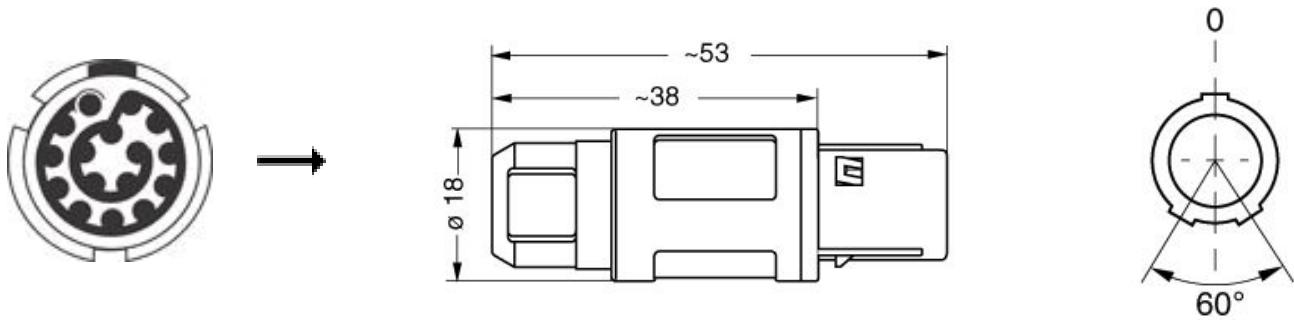
Contact Type: Solder  
Contact Dia.: 0.7 mm (0.027in)  
Bucket Dia.: 0.8 mm (0.031in)  
Test voltage (kV rms) Contact-contact: 1.5  
Air clearance min.: 0.47 mm  
Creepage distance min.: 0.47 mm

### Others

LEMO products and services are provided "as is". LEMO makes no warranties or representations with regard to LEMO product & services or use of them, express, implied or statutory, including for accuracy, completeness, or security. The user is fully responsible for his products and applications using LEMO components.

Endurance (Shell): >1000 mating cycles  
 Temp (min / max): -50°C / +150°C  
 F ret (min): 150 N  
 F ret (max): 250 N  
 Steam sterilization: 20 times (with potting on rear connection)



## DRAWINGS



## RECOMMENDED BY LEMO

### Tools

### Cables

CMN.16.T30.047QGZE	TPR (medical)	Grey	
16050	PVC	Black	

*LEMO products and services are provided "as is". LEMO makes no warranties or representations with regard to LEMO product & services or use of them, express, implied or statutory, including for accuracy, completeness, or security. The user is fully responsible for his products and applications using LEMO components.*

# Mouser Electronics

Authorized Distributor

Click to View Pricing, Inventory, Delivery & Lifecycle Information:

[LEMO:](#)

[CAB.M16.GLA.C52N](#)