

SUMMARY

Wires

High voltage 5



Image is for illustrative purpose only

Series 2P
Termination type Male solder
IP rating 50
AWG wire size 0.00 - 0.00
Cable Ø 5.30 - 7.20 mm
Status active

Download

[Request a quote](#)

[Catalog](#)

TECHNICAL DETAILS

Mechanics

Shell Style/Model CA*: Straight plug with cable collet and nut for fitting a bend relief

Keying

Housing Material PSU (Polysulfone), gray

Performance

Configuration 2P.H05 : 5 High Voltage

Insulator

Rated Current 8 Amps

Specifications

Test voltage contact-contact : 11.6 kV rms

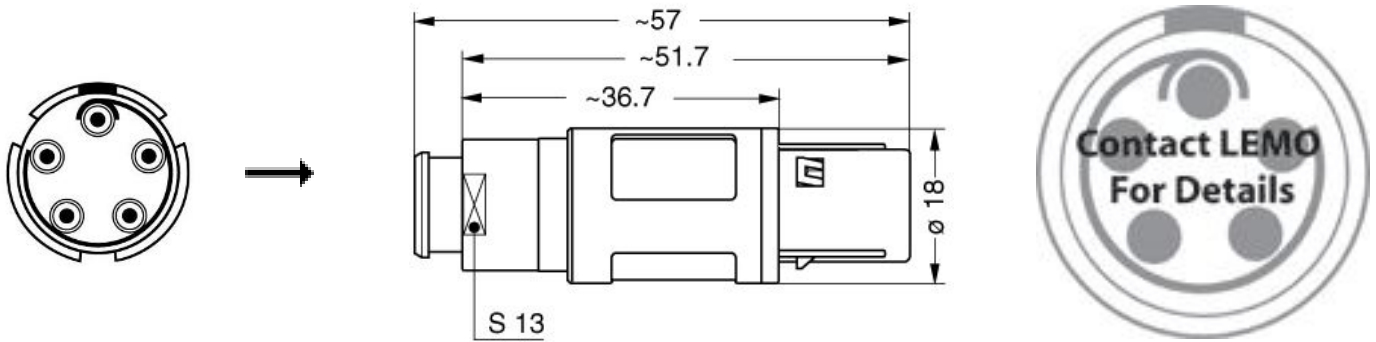
Air clearance min.: 7.96 mm

Creepage distance min.: 7.96 mm

Others

Temp (min / max): -50° C / +150° C

DRAWINGS



RECOMMENDED BY LEMO

Tools

LEMO products and services are provided "as is". LEMO makes no warranties or representations with regard to LEMO product & services or use of them, express, implied or statutory, including for accuracy, completeness, or security. The user is fully responsible for his products and applications using LEMO components.

Mouser Electronics

Authorized Distributor

Click to View Pricing, Inventory, Delivery & Lifecycle Information:

[LEMO:](#)

[CAB.H05.GLA.C72GZ](#)