

AMY-110-WAS

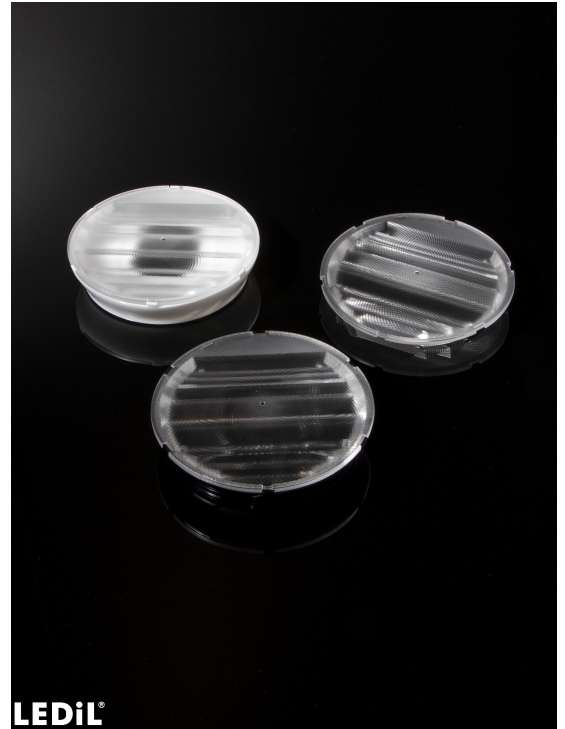
Asymmetric beam for wall-washing

SPECIFICATION:

Dimensions	Ø 109.7
Height	22.1 mm
ROHS compliant	yes ⓘ

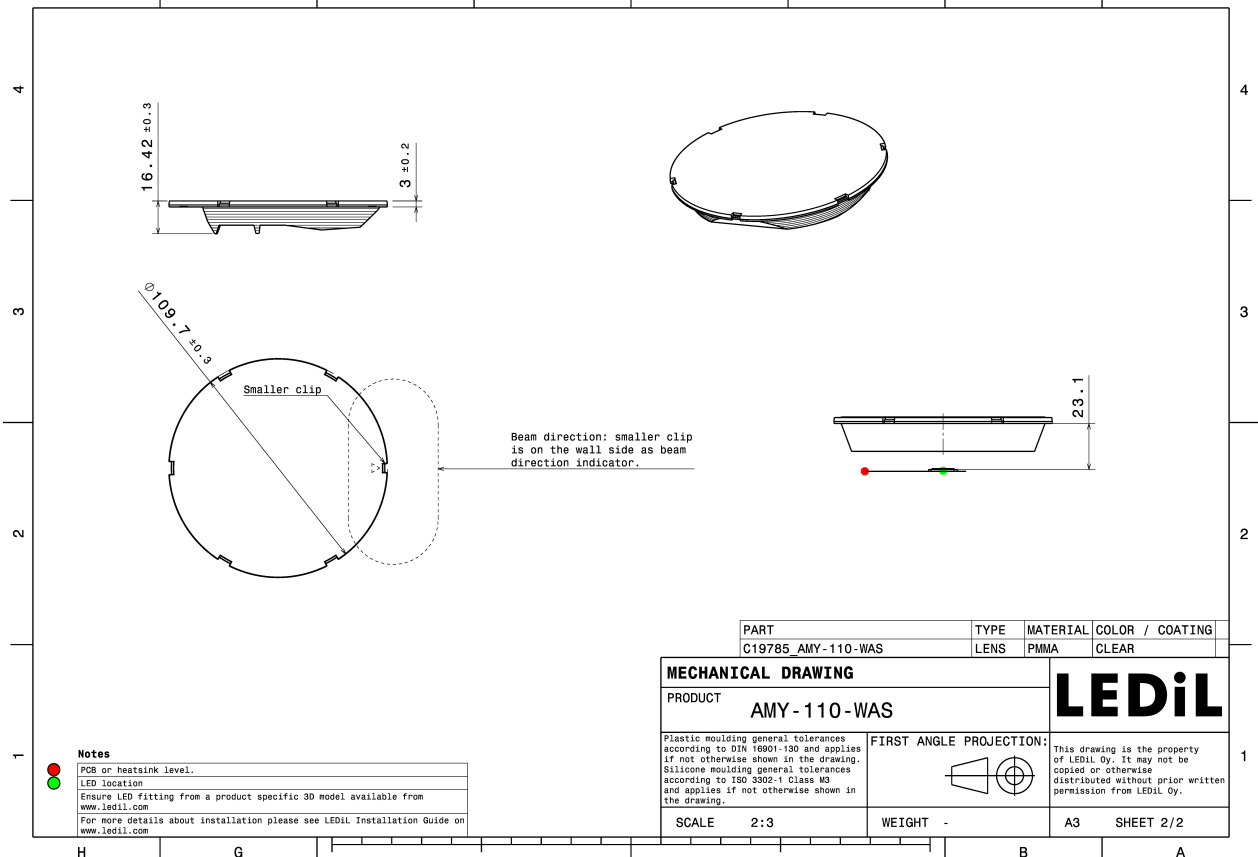
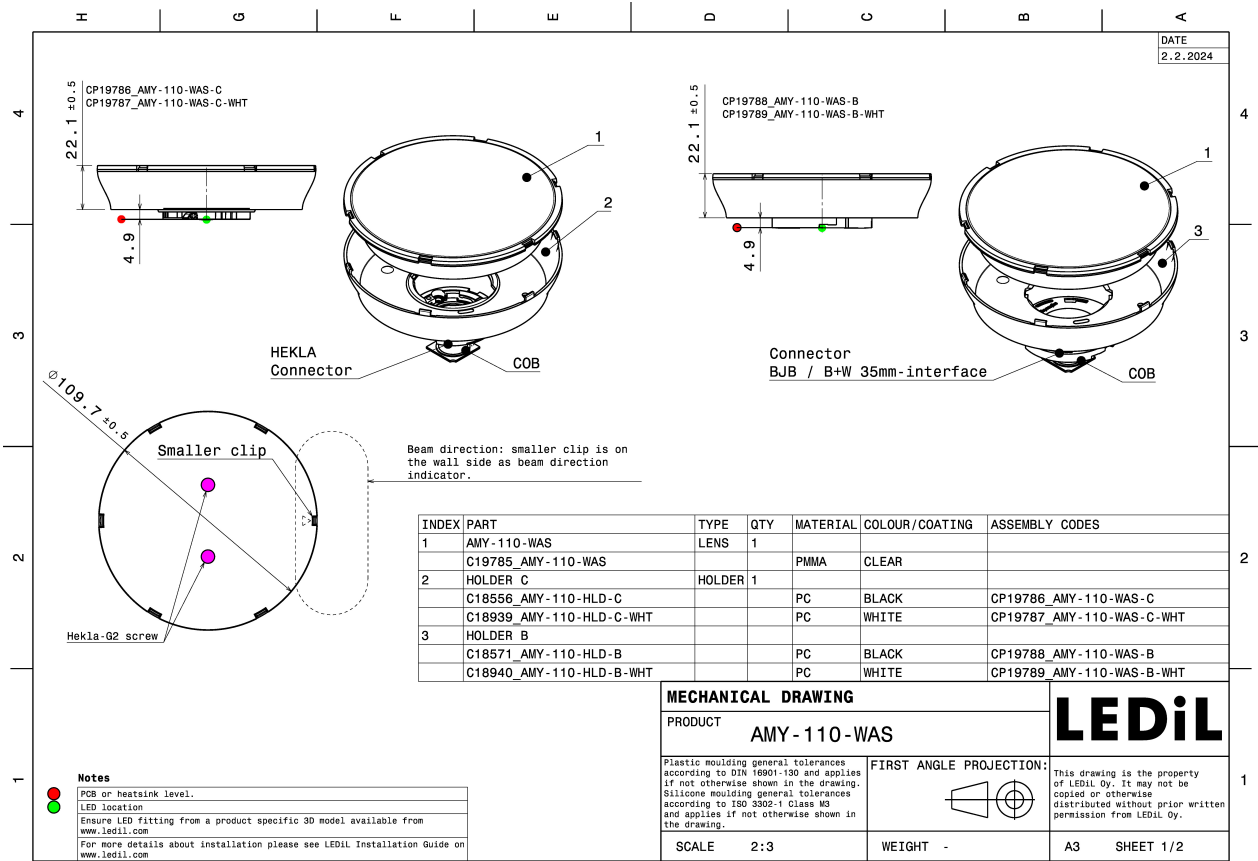
MATERIALS:

Component	Type	Material	Colour	Finish	Length (mm)
AMY-110-WAS	Single lens	PMMA			
AMY-110-HLD-C	Holder C	PC	black		
AMY-110-HLD-C-WHT	Holder C	PC	white		
AMY-110-HLD-B	Holder B	PC	black		
AMY-110-HLD-B-WHT	Holder B	PC	white		



ORDERING INFORMATION:

Component	Qty in box	MOQ	MPQ	Box weight (kg)
C19785_AMY-110-WAS	128	128	8	13.1
Assembly				
CP19789_AMY-110-WAS-B-WHT	77	77	7	10.2
CP19788_AMY-110-WAS-B	77	77	7	10.0
CP19787_AMY-110-WAS-C-WHT	77	77	7	10.2
CP19786_AMY-110-WAS-C	77	77	7	10.1



See also our general installation guide: www.ledil.com/installation_guide

OPTICAL RESULTS (SIMULATED):

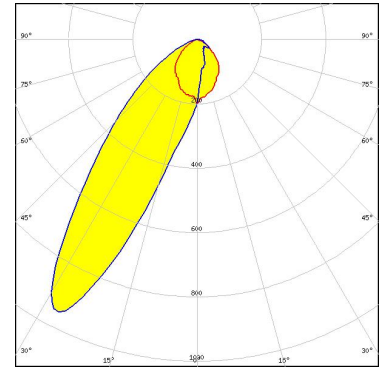


LED Vesta TW 18mm (31W) DP
FWHM / FWTM Asymmetric
Efficiency 78 %
Peak intensity 1 cd/lm
LEDs/each optic 1
Light colour/type Tunable White

Required components:

C16142_HEKLA-SOCKET-K

Bender Wirth: 483 Typ L8



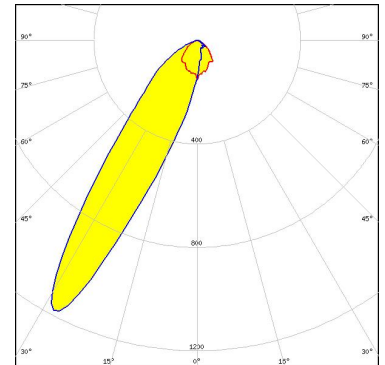
Light distribution files

CITIZEN

LED CLL03x/CLU03x
Ordering code CP19786_AMY-110-WAS-C
FWHM / FWTM Asymmetric
Efficiency 81 %
Peak intensity 1.2 cd/lm
LEDs/each optic 1
Light colour/type White

Required components:

F17438_HEKLA-G2-I



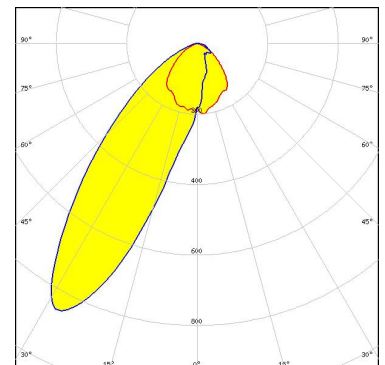
Light distribution files

CITIZEN

LED CLL04x/CLU04x
Ordering code CP19788_AMY-110-WAS-B
FWHM / FWTM Asymmetric
Efficiency 80 %
Peak intensity 0.9 cd/lm
LEDs/each optic 1
Light colour/type White

Required components:

BJB: 47.319.2030

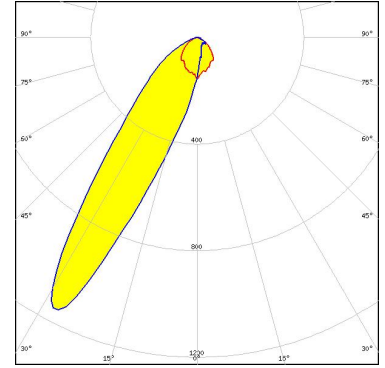


Light distribution files

OPTICAL RESULTS (SIMULATED):

SAMSUNG

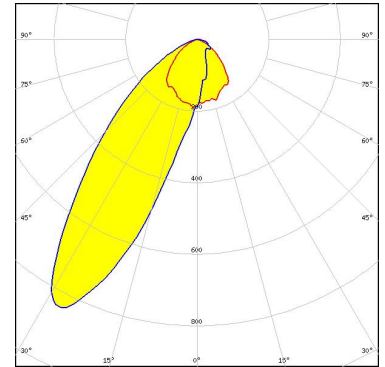
LED LC016D / LC019D / LC026D / LC033D
Ordering code CP19786_AMY-110-WAS-C
FWHM / FWTM Asymmetric
Efficiency 81 %
Peak intensity 1.2 cd/lm
LEDs/each optic 1
Light colour/type White
Required components:
F17438_HEKLA-G2-I



Light distribution files

SAMSUNG

LED LC040D / LC060D / LC080D
Ordering code CP19788_AMY-110-WAS-B
FWHM / FWTM Asymmetric
Efficiency 80 %
Peak intensity 0.8 cd/lm
LEDs/each optic 1
Light colour/type White
Required components:



Light distribution files

BJB: 47.319.2030

GENERAL INFORMATION:

NOTE: The typical beam angle will be changed by different color, chip size and chip position tolerance. The typical total beam angle is the full angle measured where the luminous intensity is half of the peak value.

Due to use of high power COB's with this product, special attention to proper thermal design is highly recommended. LEDiL has no liability for direct, indirect or consecutive damages arising from the LEDiL products being used outside of the recommended temperature range.

MATERIALS:

As part of our continuous research and improvement processes, and to ensure the best possible quality and availability of our products, LEDiL reserves the right to change material grades without notice.

PRODUCT DATA USER AGREEMENT AND DISCLAIMER:

The measured data in the provided downloadable LEDiL Product Datasheets and Mechanical 2D-Drawings is rounded and provided as reference for planning. LEDiL Oy's optical specifications have been verified by conducting performance testing of the products in accordance with the company's quality system. The reported data are averaged results of multiple measurements with typical variation. LEDiL Oy reserves the right to without prior notification make changes and improvements to its products.

LEDiL Oy assumes neither warranty, nor guarantee nor any other liability of any kind for the contents and correctness of the provided data. The provided data has been generated with highest diligence but the provided data may in reality not represent the complete possible variation range of all intrinsic parameters. Therefore, in certain cases a deviation from the provided data could occur.

LEDiL Oy reserves the right to undertake technical changes of its products without further notification which could lead to changes in the provided data. LEDiL Oy assumes no liability of any kind for the possible deviation from any provided data or any other damage resulting from the usage of the provided data.

The user agrees to this disclaimer and user agreement with the download or usage of the provided files.

LEDiL Oy

Joensuunkatu 7
FI-24240 SALO
Finland

LEDiL Inc.

228 West Page Street
Suite D
Sycamore IL 60178
USA

Ledil Optics Technology (Shenzhen) Co., Ltd.

405 , Block B
Casic Motor Building
Shenzhen 518057
P.R.CHINA

Local sales and technical support

[www.ledil.com/
where_to_buy](http://www.ledil.com/where_to_buy)

Shipping locations

Poznan, Poland
Hong Kong, China

Distribution Partners

[www.ledil.com/
where_to_buy](http://www.ledil.com/where_to_buy)

Mouser Electronics

Authorized Distributor

Click to View Pricing, Inventory, Delivery & Lifecycle Information:

[Ledil:](#)

[CP19787_AMY-110-WAS-C-WHT](#) [CP19788_AMY-110-WAS-B](#) [CP19789_AMY-110-WAS-B-WHT](#) [CP19786_AMY-110-WAS-C](#) [C19785_AMY-110-WAS](#)