



PRODUCT DATASHEET

Lisa series

last update 20/9/2016

DETAILS

| | |
|------------------------|------------------|
| Product Number | CP10641_LISA-SS |
| Family | Lisa |
| Type | Assembly |
| Color | white |
| Diameter | 10,8 mm |
| Height | 7,3 mm |
| Style | round |
| Optic Material | PMMA |
| Holder Material | |
| Fastening | glue |
| Status | production ready |
| ROHS Compliant | Yes |
| Date Updated | 20/09/2016 |



OPTICAL PROPERTIES

| LED | Viewing Angle | Light Beam | Efficiency | cd/lm | Connector |
|------|---------------|---------------|------------|-------|-----------|
| XP-E | 22 deg | Smooth spo... | .86 % | 3.800 | - |
| XP-G | 30 deg | Smooth spo... | .87 % | 2.900 | - |
| Z5 | sim: 19 | Smooth spo... | .86 % | - | - |

D

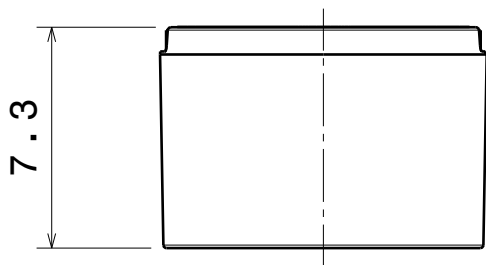
C

B

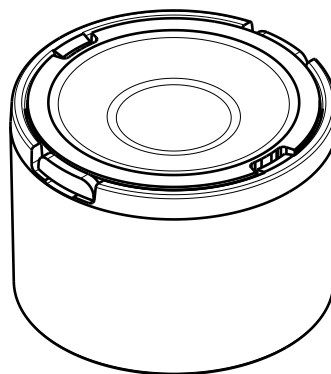
A

4

4

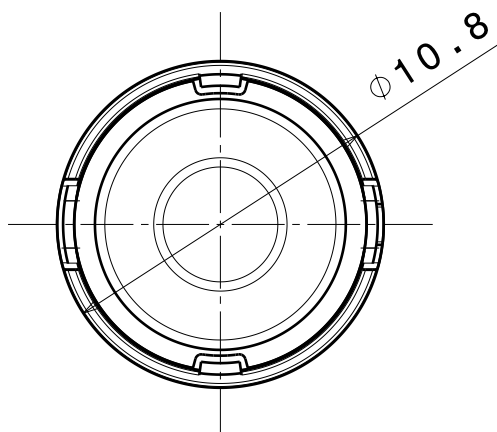


Front view

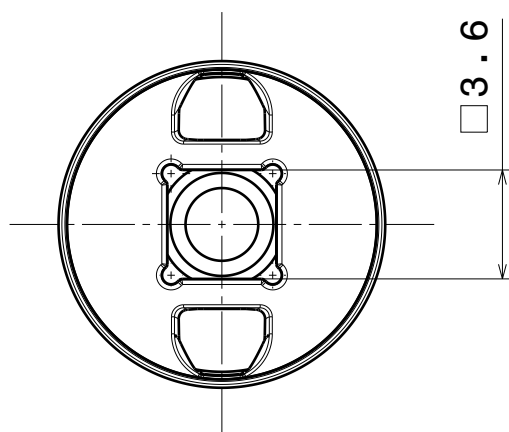
Isometric view
Scale: 4:1

3

3



Top view



Bottom view

2

2

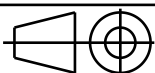
| INDEX | PART NO | DESCRIPTION | MATERIAL | COLOUR |
|-------|---------|-------------|----------|--------|
| 1 | C10523 | LISA-R1-SS | PMMA | clear |
| | C10640 | LISA-XP-HLD | PC | white |

Tolerances if not otherwise shown
According to DIN ISO 2768-1
Linear measures:
Up to 30mm class M, otherwise class C.
According to DIN ISO 2768-2
Form and position: class L

LEDiL

Ledil Oy
Salorankatu 10
FIN 24240 SALO
Finland

THIRD ANGLE PROJECTION:



DRAWING TITLE

CP10641_LISA-SS

This drawing is the property
of LEDiL Oy. It may not be
reproduced, copied or
communicated without a written
agreement with LEDiL Oy.

SIZE PART NUMBER

A4

CP10641

| | | | | | |
|-------|-----|--------|-------|-------|-----|
| SCALE | 4:1 | WEIGHT | 0,5 g | SHEET | 1/1 |
|-------|-----|--------|-------|-------|-----|

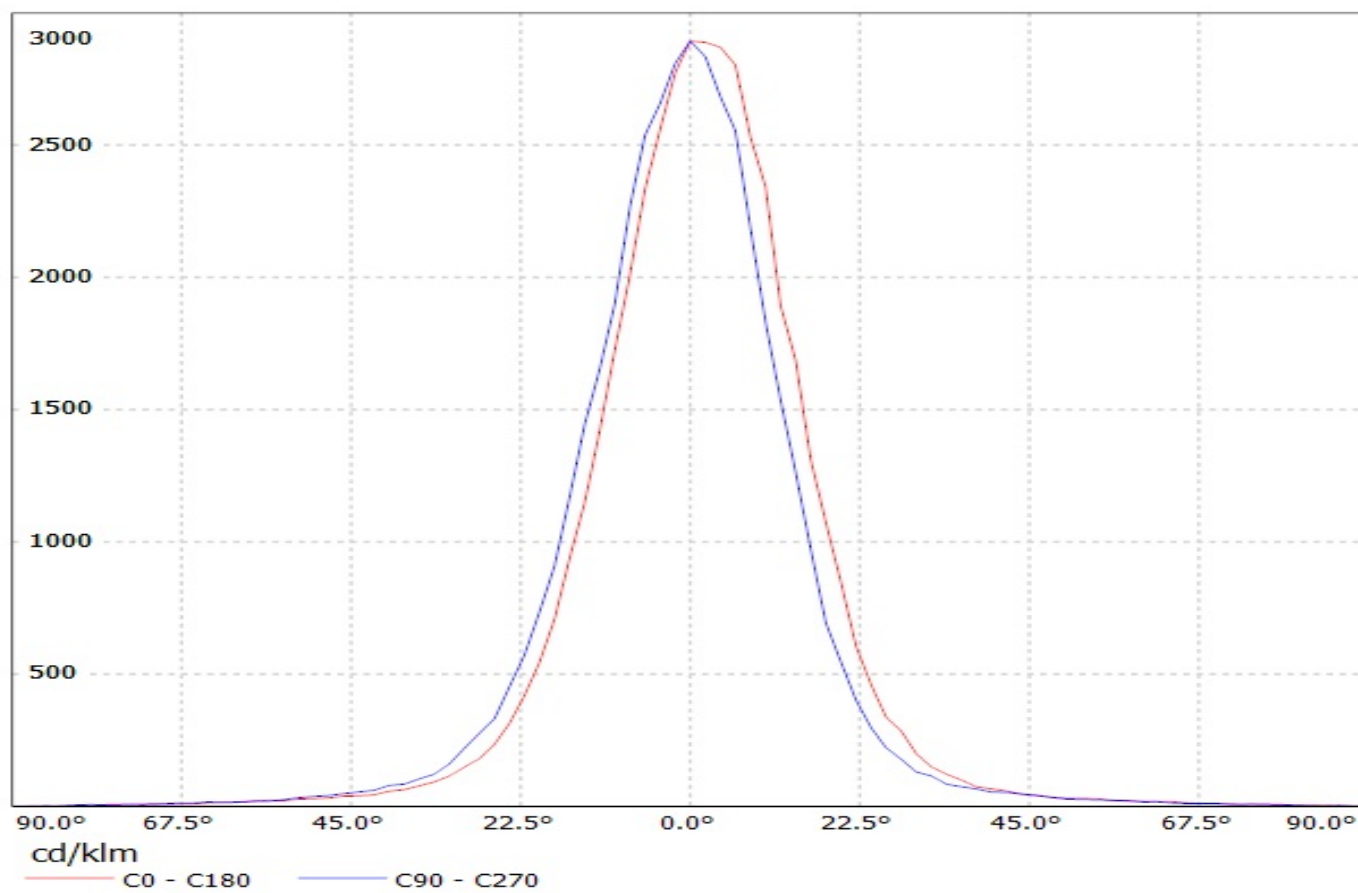
1

1

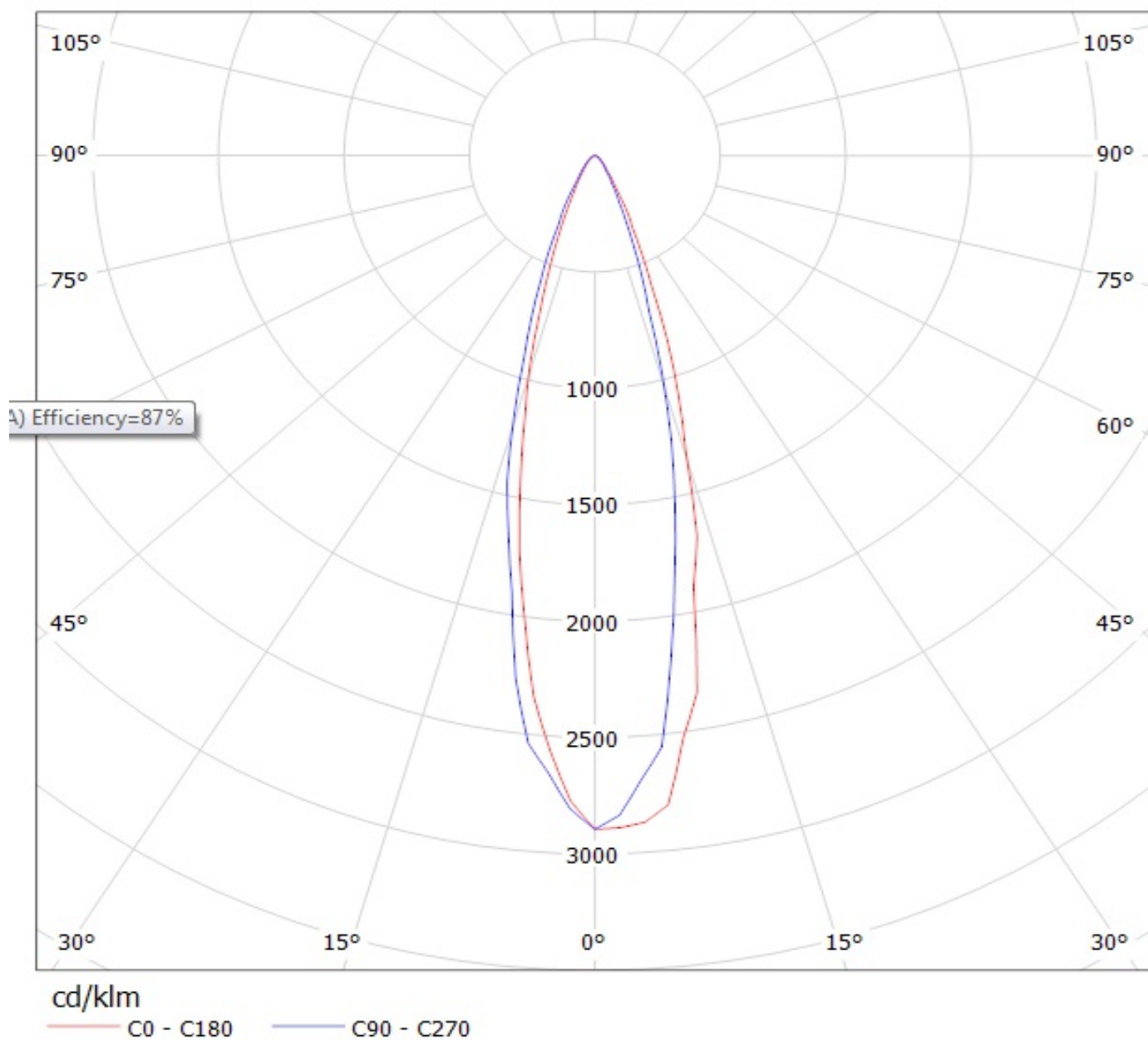
D

A

Luminaire: Ledil Oy CP10641_LISA-SS-XP-G (Cree XP-G 62lm @ 250mA) Efficiency=87%
Lamps: 1 x Cree XP-G 62lm @ 250mA



Luminaire: Ledil Oy CP10641_LISA-SS-XP-G (Cree XP-G 62lm @ 250mA) Efficiency=87%
Lamps: 1 x Cree XP-G 62lm @ 250mA



NOTE: The typical divergence will be changed by different color, chip size and chip position tolerance. The typical total divergence is the full angle measured where the luminous intensity is half of the peak value.

Mouser Electronics

Authorized Distributor

Click to View Pricing, Inventory, Delivery & Lifecycle Information:

[Ledi:](#)

[CP10641_LISA-SS](#)