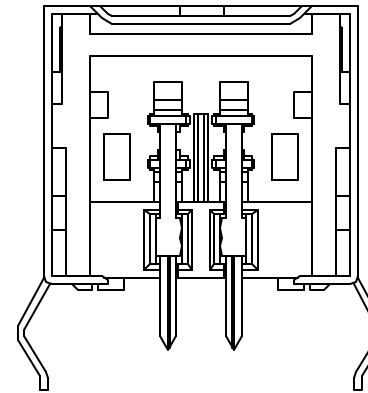
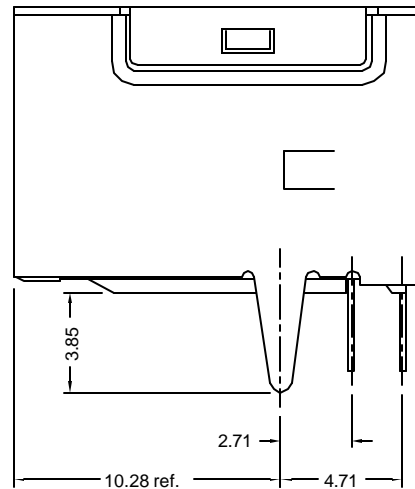
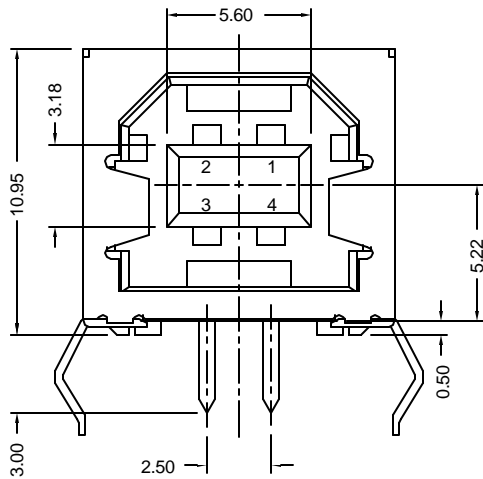


Recommended PCB Layout
(top view)



Materials and Finish

Shell: Brass, 0.3mm thick,
50u" copper underplate,
120u" bright tin/lead finish

Insulator: UL94V-0 rated
PBT thermoplastic
Color- white or black

Contact Material: Phosphor Bronze

Contact Plating Options:
Standard: gold flash
on contact area, 120u" tin/lead
on solder tails, all over
50u" nickel underplate
-30 Option: 30u" gold
on contact area, 120u" tin/lead
on solder tails, all over
50u" nickel underplate

Electrical Characteristics

Rated Voltage: 30V AC (rms)

Contact Current Rating:
1A DC max.

Contact Resistance:
30 milliohms max.

Insulation Resistance:
1000 megohms min.

Dielectric Withstanding Voltage:
750V AC for 1 minute

Operating Temperature:
-55°C to +85°C (EIA 364-32 Test)

Mechanical Specifications

Mating Force: 3.57kg max.

Unmating Force: 1.02kg min.

Part Number	Insulator Color	Contact Area Plating Finish
KUSB-BS-1-N-WHT	white	Gold Flash (standard option)
KUSB-BS-1-N-BLK	black	
KUSB-BS-1-N-WHT-30	white	30u" Gold (-30 option)
KUSB-BS-1-N-BLK-30	black	

Tolerances

X.X ± 0.35
X.XX ± 0.25
Unless Stated
Otherwise



REVISION	DATE	DESCRIPTION	DRAWN BY	REV CHECK BY	UNITS
B1	4/9/01	Ref ECO 01-034	C. Leiva	H. Ma	mm
B2	6/24/04	ECO#04-029	REVISION BY	REV CHECK DATE	DATE
B3	3/23/05	ECO#05-015	R. Aguirre	6/25/04	9/16/99

KUSB-BS-1-N-xxx

Right Angle USB B-type Receptacle
4 Position, Gold



Mouser Electronics

Authorized Distributor

Click to View Pricing, Inventory, Delivery & Lifecycle Information:

[Kycon:](#)

[KUSB-BS-1-N-BLK-30](#) [KUSB-BS-1-N-WHT-30](#) [KUSB-BS-1-N-WHT](#) [KUSB-BS-1-N-BLK](#)