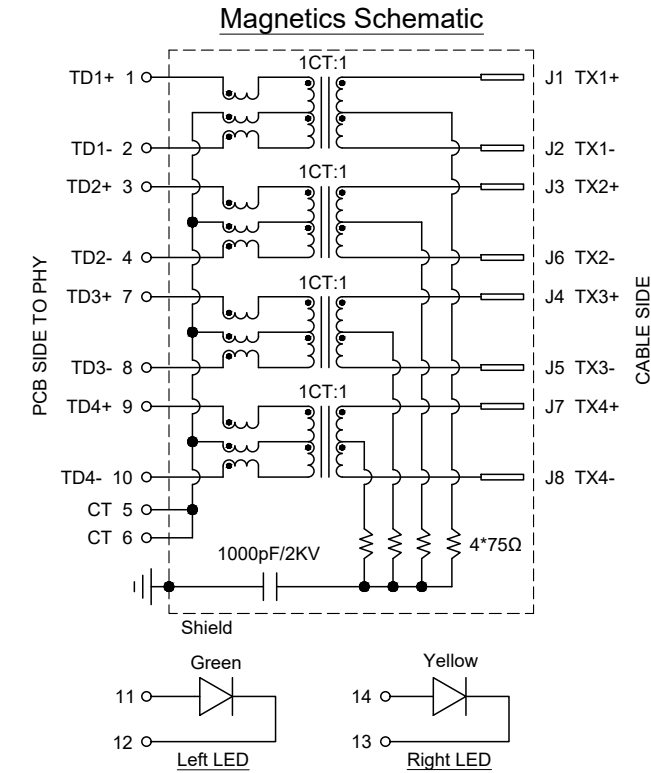


Recommended PCB Layout (Top View)



LED Specification

| LED Color | LED Wavelength | Forward(A) | Forward(V) |
|-----------|----------------|------------|------------|
| Green | 568nm | 20mA | 1.85~2.45V |
| Yellow | 585nm | 20mA | 1.7~2.2V |

Materials and Finish

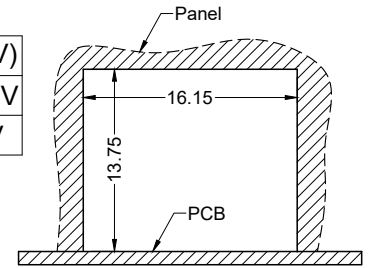
Housing Material:
High Temperature Thermoplastic,
UL 94V-0 Rated, Color: Black
Shield: Brass, Nickel Plated
Contact Material:
Phosphor Bronze
Contact Plating:
Nickel Underplating, W/ 30u" Gold
Plating on Contact Area,

Electrical Characteristics

Dielectric Withstanding Voltage:
2250V DC for 6 Seconds
Primary to Secondary

Mechanical Characteristics

Mating Force: 23N Max.
Durability Rating:
750 Mating Cycles Min.
Operating Temperature:
-40°C to +85°C



Suggested Panel Cut-Out

Electrical Properties Of Magnetics

| Insertion Loss (dB Max) | | Return Loss (dB Min) | | Cross Talk (dB Min) | | CMR (dB Min) | | | OCL (uH Min) |
|-------------------------|-----------|----------------------|---------------------|---------------------|-------------|--------------|------------|-------------|-------------------------|
| 100 KHz | 1~400 MHz | 1~100 MHz | 100~500 MHz | 1~100 MHz | 100~500 MHz | 1~40 MHz | 40-100 MHz | 100~500 MHz | @100 KHz & 0.1 mV, 8 mA |
| -3.0 | -2.0 | -22 | -22+20.75Log(f/100) | -28 | -19 | -30 | -28 | -26 | 160 |

PRELIMINARY

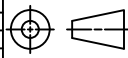
PART IN DESIGN
SPECIFICATION SUBJECT TO CHANGE

RoHS COMPLIANT

Tolerances

X.X ± 0.30
X.XX ± 0.25
Unless Stated
Otherwise

| REV. | DATE | DESCRIPTION | REV. BY | CHK. BY | DRAWN BY | DATE |
|------|----------|-------------|-------------|-------------|-------------|----------|
| A0 | 06/28/24 | New Drawing | C. Kelleher | C. Kelleher | C. Kelleher | 06/28/24 |
| | | | | | | |



UNITS
mm

G15LX-110S-10G-G/Y-30

Mag Jack, 10G Magnetics, Full Shield,

No Tabs, GRN/YEL LEDs, 30u", RoHS



Mouser Electronics

Authorized Distributor

Click to View Pricing, Inventory, Delivery & Lifecycle Information:

[Kycon:](#)

[G15LX-110S-10G-G/Y-30](#)