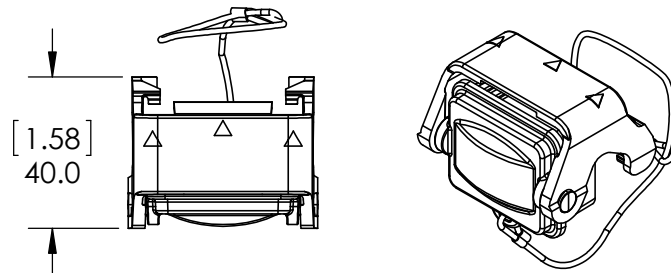


THE INFORMATION CONTAINED IN THIS DRAWING IS THE SOLE PROPERTY OF ANDERSON POWER PRODUCTS. ANY REPRODUCTION IN PART OR WHOLE WITHOUT THE WRITTEN PERMISSION OF ANDERSON POWER PRODUCTS IS PROHIBITED.

**Copyright 2011**

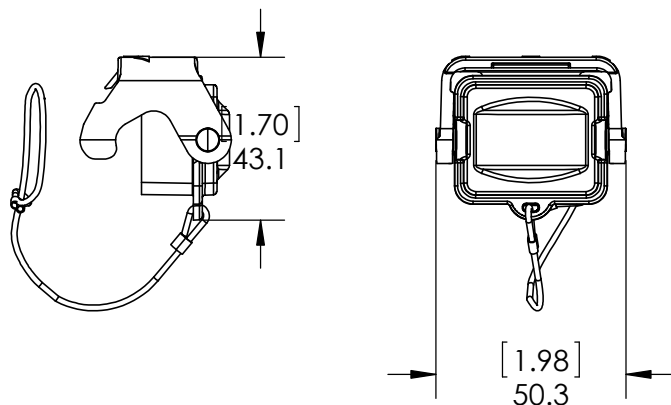
ANDERSON POWER PRODUCTS RESERVES THE RIGHT TO ALTER PRODUCT TYPES, THEIR TECHNICAL DATA, DIMENSION, STYLE AND ACCESSORIES WITHOUT PRIOR NOTIFICATION.

D



D

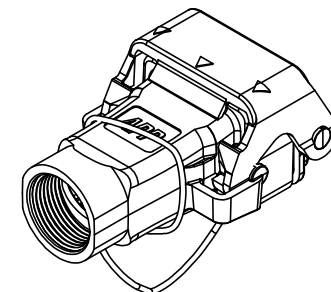
C



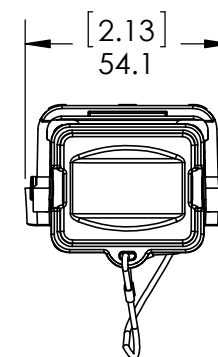
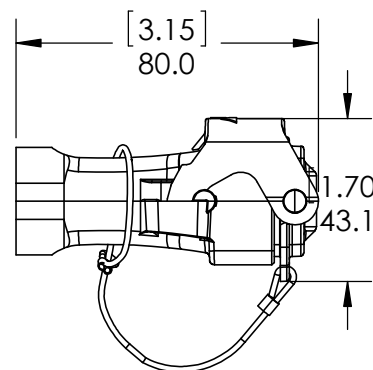
C

B

MATED TO PLUG KIT, PK6-050B04.  
PLUG KIT NOT INCLUDED.



B



**NOTES:**

1. MATERIALS:
  - A. COVER - PC/PBT BLEND, BLACK
  - B. LANYARD- NYLON CORD, TIN AND CHROME PLATED COPPER ALLOY
2. REFER TO ASSEMBLY INSTRUCTIONS
3. FOR USE WITH PK6-050B04

A

DIMENSIONS ARE IN:		MM [INCH]	<b>APPROVALS</b>		<b>ANDERSON POWER PRODUCTS</b> TITLE SOLAR SPEC PAK® 4 POSITION PLUG COVER KIT, PK9P-050, SALES OUTLINE		
UNLESS OTHERWISE STATED			DRAWN	JHN 5/19/2011			
TOLERANCES:			CHECKED	MM 5/19/2011			
DECIMALS (INCH)	DECIMALS (MM)	ANGLES	MFG APPR	CHB 5/19/2011			
.XX ±.02	.X ±.5	±2°	QC APPR	UFN 5/20/2011			
SURFACE FINISH:			ENG APPR	BD 5/20/2011	SIZE	DWG NO.	REV.
MACHINED	128µin [3.2µ]				A	115048S1	2
MOLDED	64µin [1.6µ]						
MATERIAL: SEE NOTES					SCALE	CADFILE	SHEET
FINISH:					NONE	03340	1 OF 1
3rd ANGLE PROJECTION			-CAD GENERATED DRAWING- DO NOT MANUALLY UPDATE DO NOT SCALE				

REV.	DESCRIPTION	APPRV	DATE
2	ECRN 15194- ADD LATCH ARTWORK	CMS	6/29/2012
1	ECRN 14894	JHN	7/20/2011

REVISIONS

# Mouser Electronics

Authorized Distributor

Click to View Pricing, Inventory, Delivery & Lifecycle Information:

[Anderson Power Products:](#)

[PK9P-050](#)