

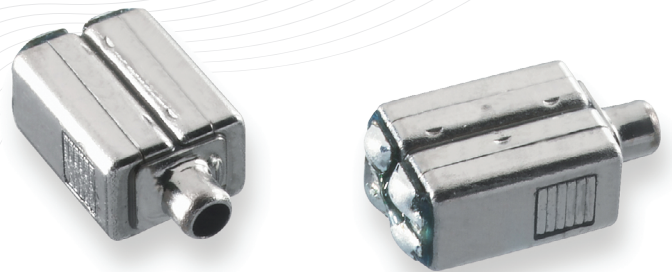
Balanced Armature Driver

SWFK-31736-000

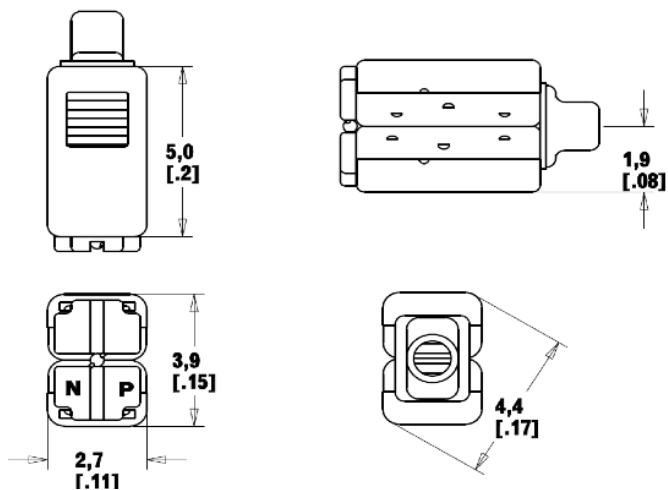
Dual Tweeter

Product Features:

- Tuned for high frequency detail
- HD Audio to 40kHz
- Small size
- RoHS compliant



Outline Drawing mm (inches)



Ordering Information:
Model Number: SWFK-31736-000

Phone: (630) 250-5100
Fax: (630) 250-0575
info@knowles.com

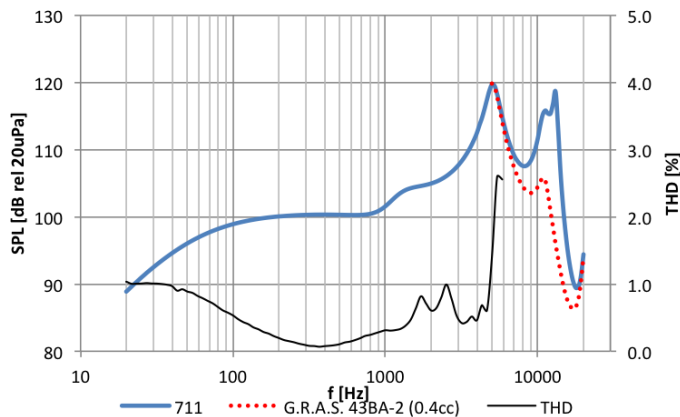
Knowles
1151 Maplewood Drive
Itasca, Illinois 60143

Balanced Armature Driver

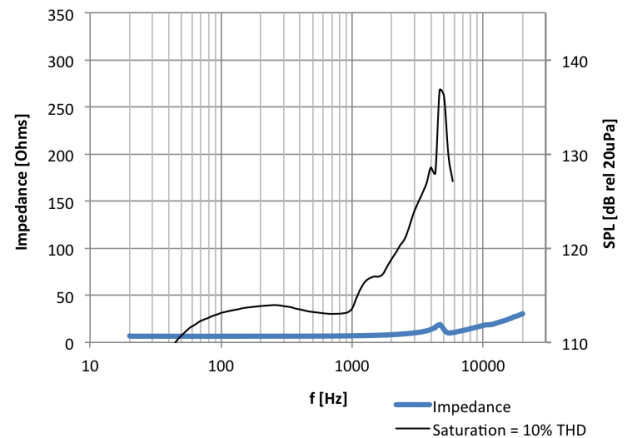
SWFK-31736-000

Dual Tweeter

Frequency Response and THD



Impedance and Saturation SPL



Testing Conditions

- using 100mV rms drive signal
- IEC60318-4 (711) coupler with DB2012 adapter
- G.R.A.S. 43BA-2 (0.4cc) with baffle adapter
- THD

Typical Performance at 1kHz

Impedance	6.9	Ohms
Sensitivity to 100mV	102	dB SPL
Sensitivity to 1mW	100	dB SPL
Max SPL ^a	114	dB SPL
THD at 94dB SPL	0.2	%
THD at 100dB SPL	0.2	%

Footnotes:
^a SPL at 10% THD

- Note:
- Ask about custom assembly options (lead wires, customer-specified materials, etc.)
 - To prevent heat damage, follow soldering guidelines in application note AN13 (knowles.com)
 - Measurement data for reference only. Refer to model specification for full dimensions and performance.

Ordering Information:
 Model Number: SWFK-31736-000

Phone: (630) 250-5100
 Fax: (630) 250-0575
 info@knowles.com

Knowles
 1151 Maplewood Drive
 Itasca, Illinois 60143

Mouser Electronics

Authorized Distributor

Click to View Pricing, Inventory, Delivery & Lifecycle Information:

[Knowles:](#)

[SWFK-31736-000](#)