

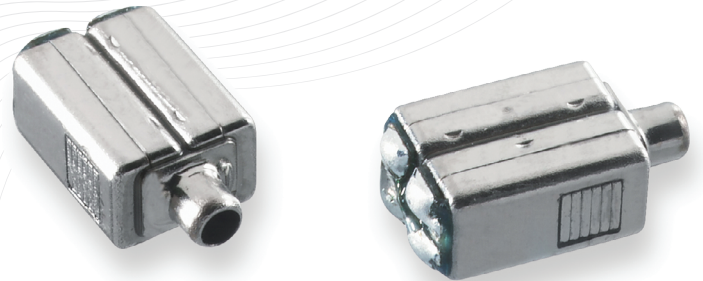
# Balanced Armature Driver

## DWFK-31785-000

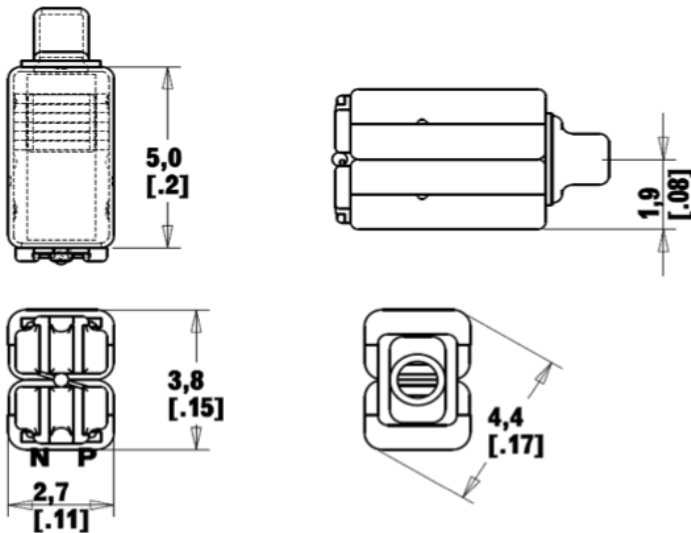
Dual Full-range

### Product Features:

- Small size
- More bass-oriented than TWFK
- High efficiency (SPL/size)
- RoHS compliant



### Outline Drawing mm (inches)



### Demonstrator Earphone Model Number

(standard sample in BOLD)

	without MIC	with MIC
Straight Cable	TC-32211-B101	<b>TC-32282-B101</b>

Ordering Information:  
Model Number: DWFK-31785-000

Phone: (630) 250-5100  
Fax: (630) 250-0575  
info@knowles.com

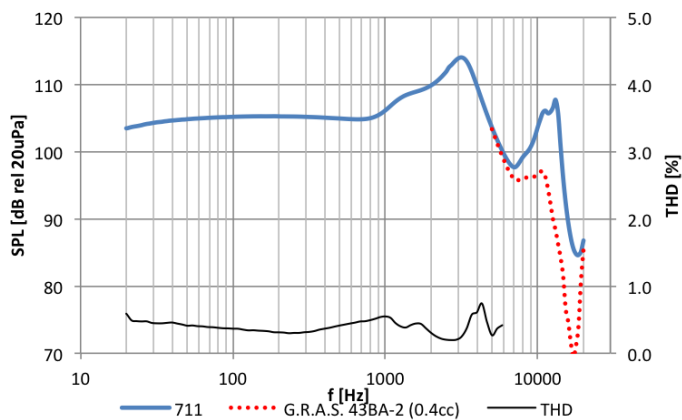
Knowles  
1151 Maplewood Drive  
Itasca, Illinois 60143

# Balanced Armature Driver

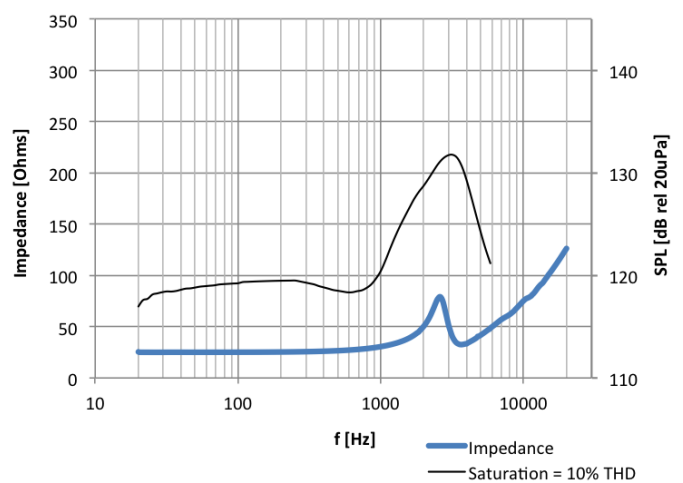
## DWFK-31785-000

Dual Full-range

### Frequency Response and THD



### Impedance and Saturation SPL



### Testing Conditions

- using 100mV rms drive signal
- IEC60318-4 (711) coupler
- ..... G.R.A.S. 43BA-2 (0.4cc)
- THD

### Typical Performance at 1kHz

Impedance	30	Ohms
Sensitivity to 100mV	106	dB SPL
Sensitivity to 1mW	111	dB SPL
Max SPL <sup>a</sup>	120	dB SPL
THD at 94dB SPL	0.4	%
THD at 100dB SPL	0.5	%

#### Footnotes:

<sup>a</sup> SPL at 10% THD

- Note:
- Ask about custom assembly options (lead wires, customer-specified materials, etc.)
  - To prevent heat damage, follow soldering guidelines in application note AN13 (knowles.com)
  - Measurement data for reference only. Refer to model specification for full dimensions and performance.

Ordering Information:  
Model Number: DWFK-31785-000

Phone: (630) 250-5100  
Fax: (630) 250-0575  
info@knowles.com

Knowles  
1151 Maplewood Drive  
Itasca, Illinois 60143

# Mouser Electronics

Authorized Distributor

Click to View Pricing, Inventory, Delivery & Lifecycle Information:

[Knowles:](#)

[DWFK-31785-000](#)