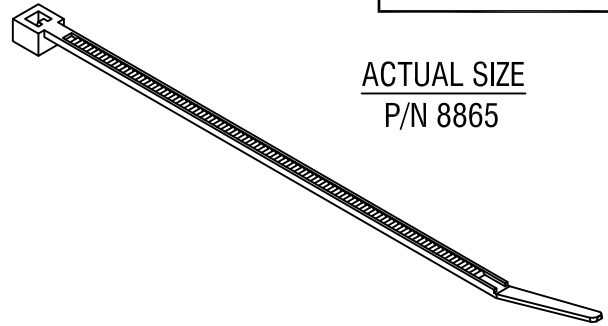
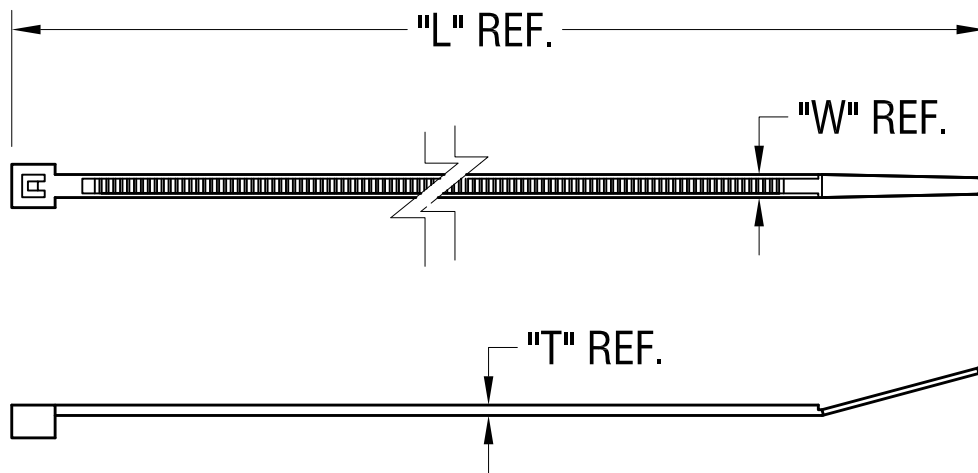


THIS DOCUMENT IS THE PROPERTY OF
KEYSTONE ELECTRONICS CORP. AND
SHALL NOT BE REPRODUCED, DISTRIBUTED
OR USED AS A BASIS FOR MANUFACTURE
WITHOUT PRIOR WRITTEN PERMISSION
FROM KEYSTONE ELECTRONICS CORP.



ACTUAL SIZE
P/N 8865



PART NO.	TENSILE STRENGTH (MIN. BUNDLE)	FOR BUNDLE DIA. (MAX.)	'L' DIM. REF.	'W' DIM. REF.	'T' DIM. REF.
8865	18 lbs	1.000 [25.4]	4.250 [107.95]	.100 [2.54]	.045 [1.14]
8866	18 lbs	2.000 [50.8]	8.000 [203.20]	.140 [3.56]	.045 [1.14]
8867	40 lbs	1.250 [31.80]	6.000 [152.40]	.140 [3.56]	.050 [1.27]
8868	50 lbs	1.750 [44.5]	7.500 [190.50]	.190 [4.83]	.055 [1.40]
8869	120 lbs	4.000 [101.6]	14.500 [368.08]	.190 [4.83]	.055 [1.40]

DATE	DESCRIPTION	REV.
8.29.23	'W' DIM. REF. FOR P/N 8866 WAS .100 CHANGE AS PER ECN 23-149	C
7.31.23	CHANGE AS PER ECN 23-127	B
9.10.99	CHANGE AS PER ECN 99-063	A

KEYSTONE ELECTRONICS CORP.
www.keyelco.com • NEW HYDE PARK NY 11040 • Tel (516)328-7500

PART NAME: CABLE TIE

MATERIAL: NATURAL NYLON 6/6 UL94V-2

FINISH: -

DRN BY: BOONE DATE: 11.7.95

APP'D: RH SCALE: 1.2X

TOLERANCES INCH [MM]
DECIMAL ± .005 [± 0.13]
ANGULAR ± 1°
UNLESS OTHERWISE SPECIFIED

CODE: C

DWG NO. **8865 - 8869**

Mouser Electronics

Authorized Distributor

Click to View Pricing, Inventory, Delivery & Lifecycle Information:

[Keystone Electronics:](#)

[8866](#)