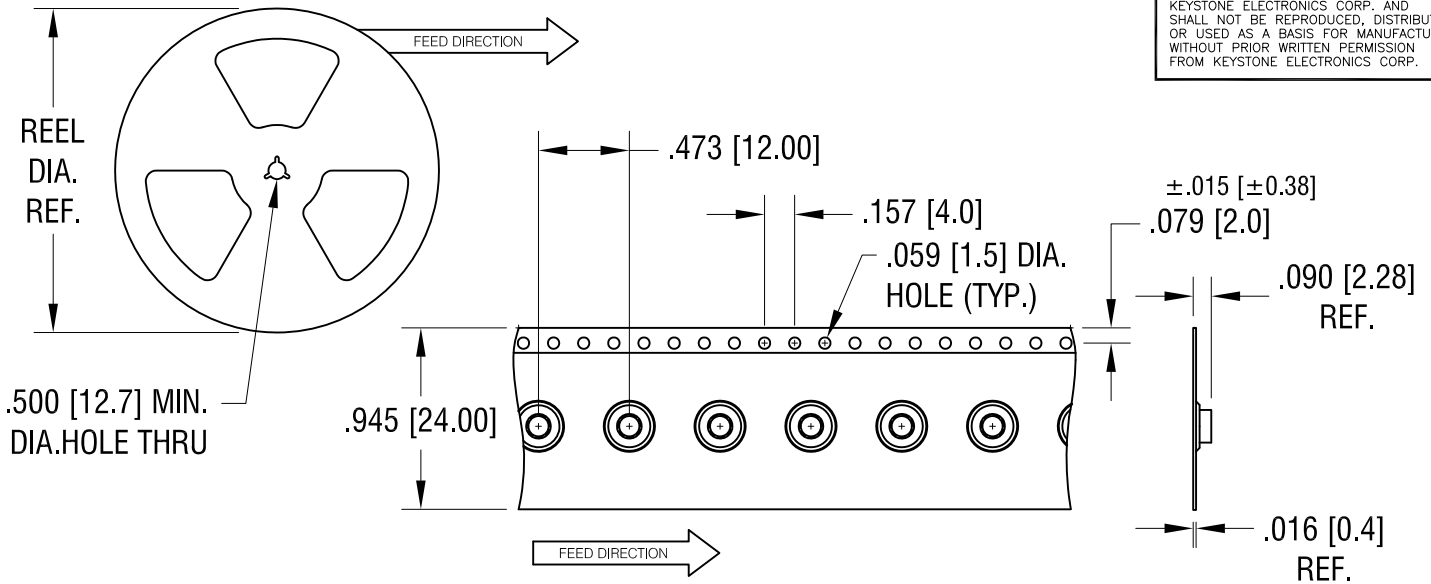
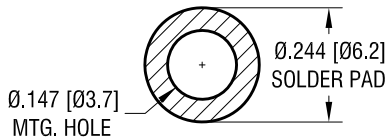


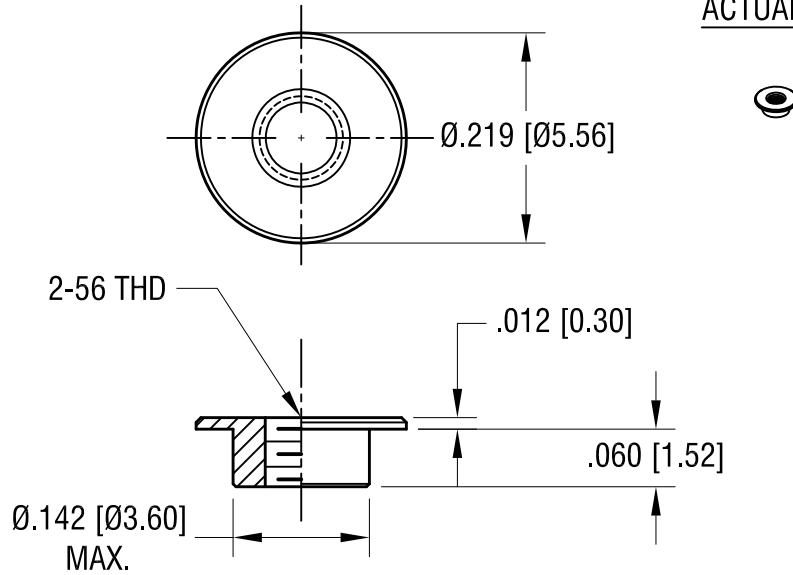
THIS DOCUMENT IS THE PROPERTY OF
KEYSTONE ELECTRONICS CORP. AND
SHALL NOT BE REPRODUCED, DISTRIBUTED
OR USED AS A BASIS FOR MANUFACTURE
WITHOUT PRIOR WRITTEN PERMISSION
FROM KEYSTONE ELECTRONICS CORP.



MOUNTING DETAIL



ACTUAL SIZE



NOTES:

1. SUPPLIED ON TAPE AND REEL ONLY.
TAPE AND REEL SPECIFICATIONS:
2. TAPE:
MAT'L - ALL CONDUCTIVE POLYSTYRENE CARRIER
ANSI/EIA-481 STANDARD
3. REEL:
13" [330.2] DIA. 1500 PIECES PER REEL
4. REELS TO BE SUPPLIED IN SEALED BAGS
WITH VCI PROTECTION.
5. KAPTON TAPE ADDED TO TOP SURFACE
OF STANDOFF.

7.25.24	SPECIFIED VCI PACKAGING.	A
DATE	DESCRIPTION	REV.

KEYSTONE ELECTRONICS CORP.			
www.keyelco.com • NEW HYDE PARK, NY 11040 • Tel (516) 328-7500			
PART NAME			
"ZERO" HEIGHT HOLE THREADER			
MATERIAL			
STEEL			
FINISH		DRN BY	DATE
MATTE TIN PLATE		NT	2.15.19
		APP'D	SCALE
		RH	5X, 1X
TOLERANCES		DWG NO.	
INCH	[MM]		
DECIMAL	± .005 [± 0.13]		
ANGULAR	± 1°		
UNLESS OTHERWISE SPECIFIED			
CODE	4929		
C			

Mouser Electronics

Authorized Distributor

Click to View Pricing, Inventory, Delivery & Lifecycle Information:

[Keystone Electronics:](#)

[4929](#)