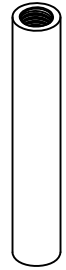
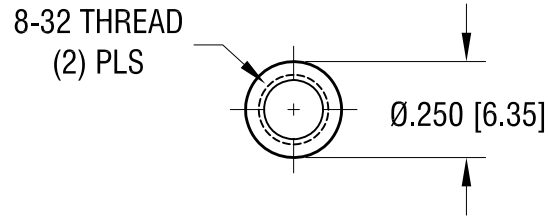
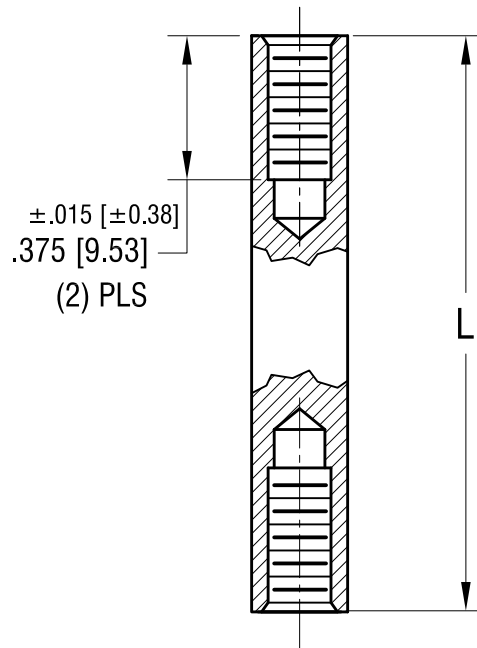


THIS DOCUMENT IS THE PROPERTY OF
KEYSTONE ELECTRONICS CORP. AND
SHALL NOT BE REPRODUCED, DISTRIBUTED
OR USED AS A BASIS FOR MANUFACTURE
WITHOUT PRIOR WRITTEN PERMISSION
FROM KEYSTONE ELECTRONICS CORP.

ACTUAL SIZE



P/N 3497



PART NO.	'L' DIM.
3497	1.500 [38.10]
3498	2.000 [50.80]

KEYSTONE ELECTRONICS CORP.

www.keyelco.com • NEW HYDE PARK NY 11040 • Tel (516)328-7500

PART NAME				THREADED ROUND STANDOFF			
MATERIAL				LEAD FREE ALUMINUM			
FINISH		DRN BY		DATE		APP'D	
CLEAR IRIDITE		BOONE		3.13.98		RH	
TOLERANCES		INCH [MM]		CODE		DWG NO.	
DECIMAL		± .005 [± 0.13]		C		3497-3498	
ANGULAR		± 1°		UNLESS OTHERWISE SPECIFIED			

1.04.24	CHANGE AS PER ECN 24-010	A
DATE	DESCRIPTION	REV.

Mouser Electronics

Authorized Distributor

Click to View Pricing, Inventory, Delivery & Lifecycle Information:

[Keystone Electronics:](#)

[3498](#)