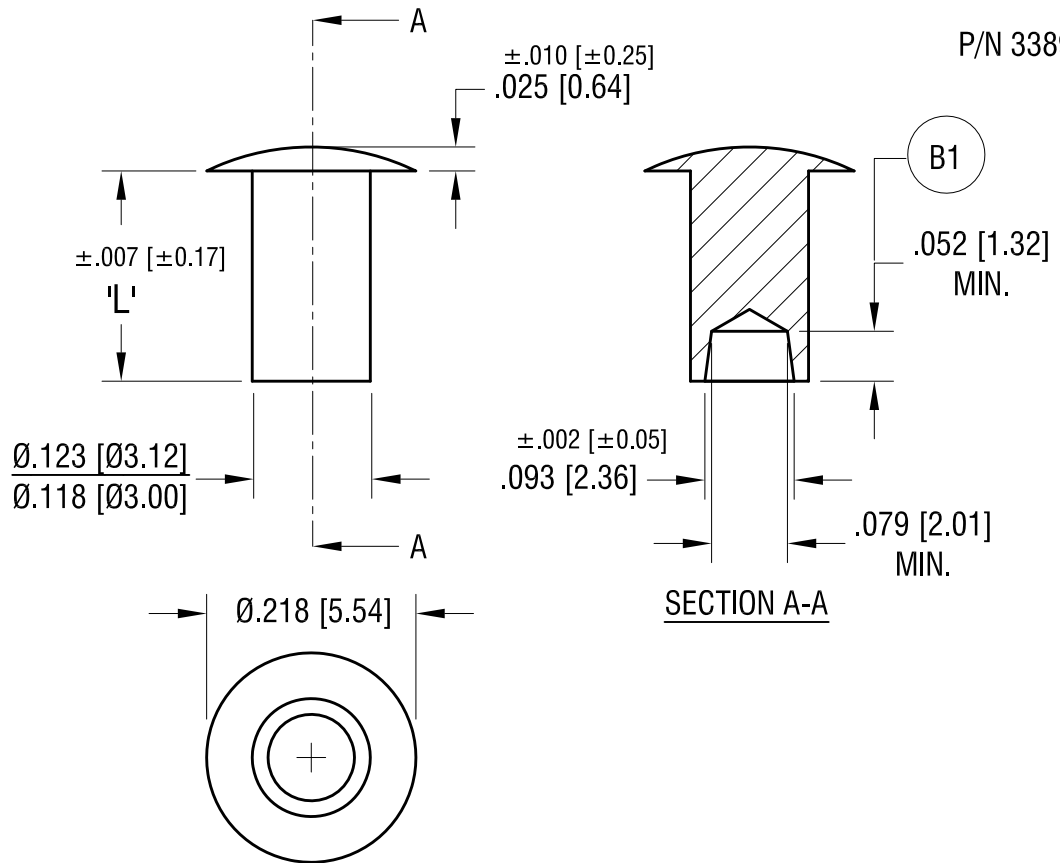


THIS DOCUMENT IS THE PROPERTY OF
KEYSTONE ELECTRONICS CORP. AND
SHALL NOT BE REPRODUCED, DISTRIBUTED
OR USED AS A BASIS FOR MANUFACTURE
WITHOUT PRIOR WRITTEN PERMISSION
FROM KEYSTONE ELECTRONICS CORP.

ACTUAL SIZE



P/N 3389



PART NO.	'L' DIM.
3388	.156 [3.96]
3389	.187 [4.75]
3390	.218 [5.54]
3391	.250 [6.35]

KEYSTONE ELECTRONICS CORP.

www.keyelco.com • NEW HYDE PARK NY 11040 • Tel (516)328-7500

PART NAME				RIVET, SEMI-TUBULAR			
MATERIAL				BRASS			
FINISH		DUCTILE NICKEL PLATE		DRN BY	BOONE	DATE	8.26.82
				APP'D	RH	SCALE	5X
TOLERANCES		INCH [MM]		CODE		DWG NO.	
DECIMAL		± .005 [± 0.13]		C		3388 - 3391	
ANGULAR		± 1°		UNLESS OTHERWISE SPECIFIED			

1.30.24	SWAGE HOLE IS TAPPED, WAS STANDARD B1 WAS .062±.010 CHANGE AS PER PCN 24-011	B
2.25.08	CHANGE AS PER ECN 08-090	A
DATE	DESCRIPTION	REV.

Mouser Electronics

Authorized Distributor

Click to View Pricing, Inventory, Delivery & Lifecycle Information:

[Keystone Electronics:](#)

[3391](#) [3388](#) [3389](#) [3390](#)