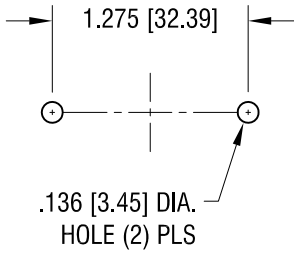
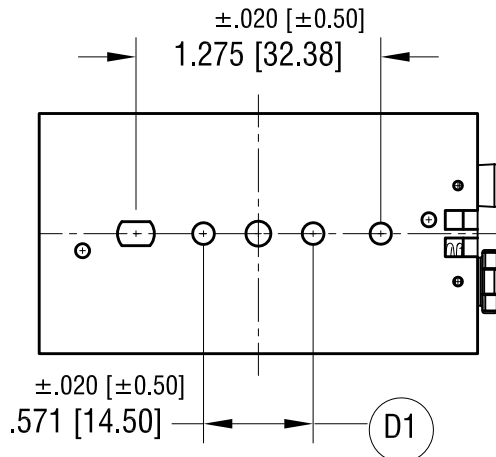
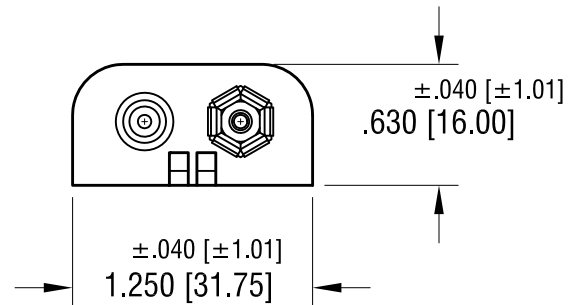
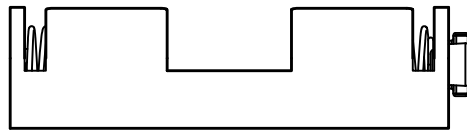
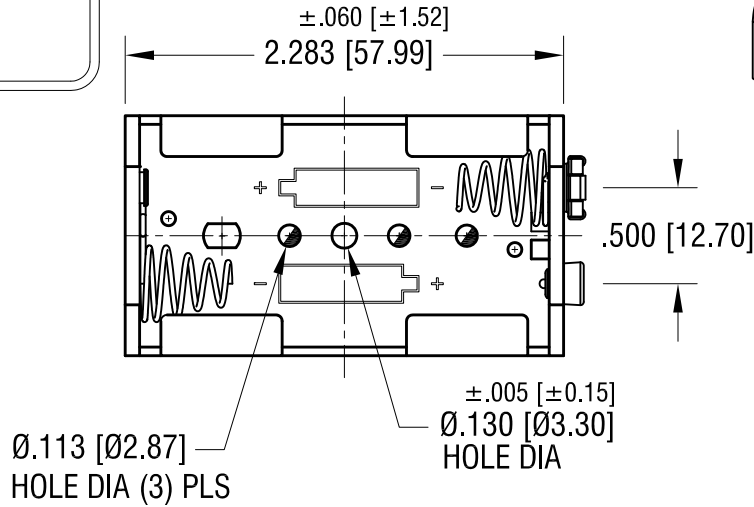
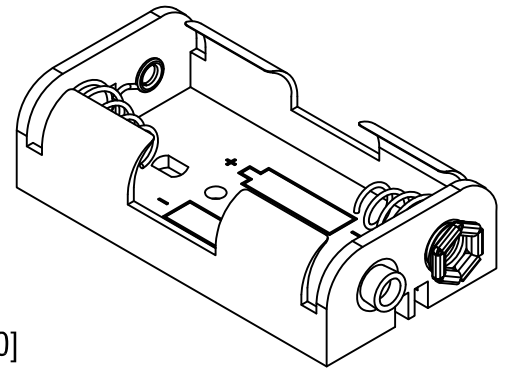


THIS DOCUMENT IS THE PROPERTY OF KEYSTONE ELECTRONICS CORP. AND SHALL NOT BE REPRODUCED, DISTRIBUTED OR USED AS A BASIS FOR MANUFACTURE WITHOUT PRIOR WRITTEN PERMISSION FROM KEYSTONE ELECTRONICS CORP.

MOUNTING DETAIL



ACTUAL SIZE



NOTE:

- 1. HOLDER: MAT'L: POLYPROPYLENE
- SPRING: MAT'L: MUSIC WIRE, .024 [0.60] DIA.
- CONTACT: MAT'L: BRASS

	(D1) WAS .600, SPRING DIA WAS .027	
3.02.20	CHANGE AS PER ECN 20-017	D
12.03.19	WAS Ø.027[0.70] MUSIC WIRE CHANGE AS PER ECN 19-92	C
1.17.13	CHANGE AS PER ECN 13-002	B
11.18.99	CHANGE AS PER ECN 99-094	A
DATE	DESCRIPTION	REV.

KEYSTONE ELECTRONICS CORP.			
www.keyelco.com • NEW HYDE PARK, NY 11040 • Tel (516) 328-7500			
PART NAME		BATTERY HOLDER WITH SNAP-ON, (2) 'AA'	
MATERIAL		AS NOTED	
FINISH	NICKEL PLATE	DRN BY	BOONE
		DATE	5.03.96
		APP'D	RH
		SCALE	1X
TOLERANCES	INCH [MM]	CODE	DWG NO.
DECIMAL	±.010 [±0.25]	C	2474
ANGULAR	± 1°		
UNLESS OTHERWISE SPECIFIED			

Mouser Electronics

Authorized Distributor

Click to View Pricing, Inventory, Delivery & Lifecycle Information:

[Keystone Electronics:](#)

[2474](#)