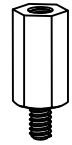
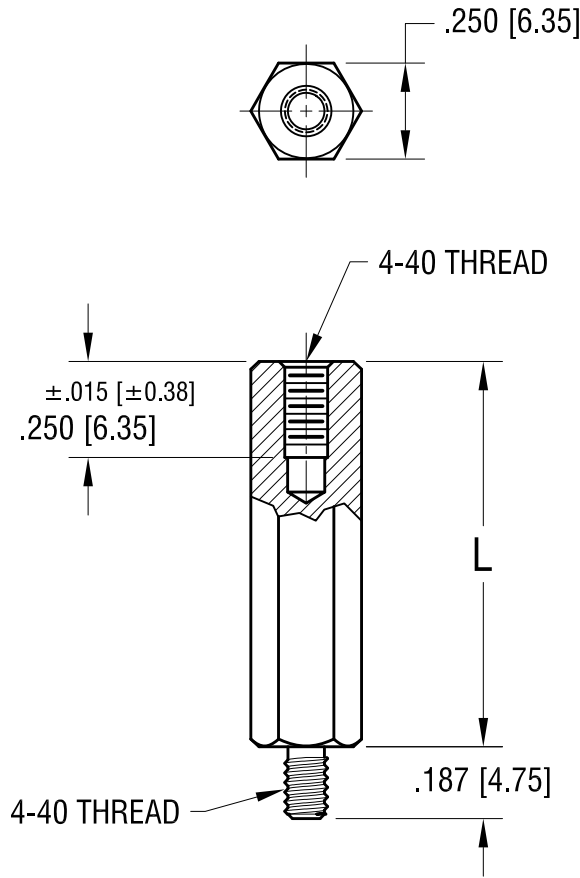


THIS DOCUMENT IS THE PROPERTY OF
KEYSTONE ELECTRONICS CORP. AND
SHALL NOT BE REPRODUCED, DISTRIBUTED
OR USED AS A BASIS FOR MANUFACTURE
WITHOUT PRIOR WRITTEN PERMISSION
FROM KEYSTONE ELECTRONICS CORP.

ACTUAL SIZE



P/N 1944



| PART NO. | 'L' DIM. |
|----------|--------------|
| 1944 | .500 [12.70] |
| 1945 | .625 [15.87] |
| 1946 | .750 [19.05] |

| | | |
|--------|--------------------------|------|
| 7.7.22 | CHANGE AS PER ECN 22-118 | B |
| 3.3.97 | CHANGE AS PER ECR 97-016 | A |
| DATE | DESCRIPTION | REV. |

| KEYSTONE ELECTRONICS CORP. | | | |
|--|-----------------|------------------|------------------|
| www.keyelco.com • NEW HYDE PARK, NY 11040 • Tel (516) 328-7500 | | | |
| PART NAME | | HEX M/F STANDOFF | |
| MATERIAL | | BRASS | |
| FINISH | | DRN BY | DATE |
| NICKEL PLATE | | BOONE | 4.26.94 |
| | | APP'D | SCALE |
| | | LN | 2X |
| TOLERANCES | INCH [MM] | CODE | DWG NO. |
| DECIMAL | ± .005 [± 0.13] | C | 1944-1946 |
| ANGULAR | ± 1° | | |
| UNLESS OTHERWISE SPECIFIED | | | |

Mouser Electronics

Authorized Distributor

Click to View Pricing, Inventory, Delivery & Lifecycle Information:

[Keystone Electronics:](#)

[1946](#)