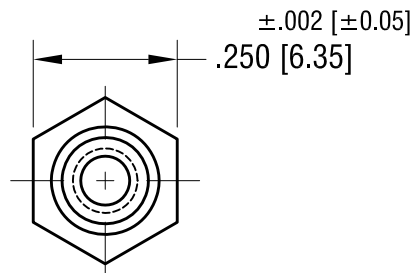
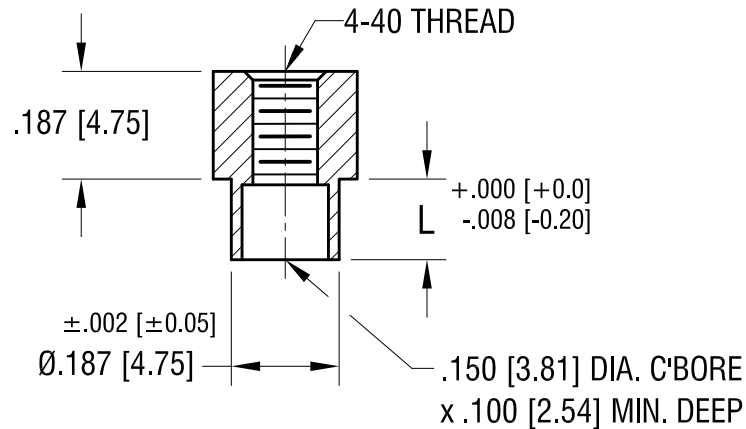


THIS DOCUMENT IS THE PROPERTY OF
KEYSTONE ELECTRONICS CORP. AND
SHALL NOT BE REPRODUCED, DISTRIBUTED
OR USED AS A BASIS FOR MANUFACTURE
WITHOUT PRIOR WRITTEN PERMISSION
FROM KEYSTONE ELECTRONICS CORP.

ACTUAL SIZE



P/N 1746-2



PART NO.	'L' DIM.
1746-2	.109 [2.77]
1746-3	.140 [3.56]

DATE	DESCRIPTION	REV.
11.22.21	CHANGE AS PER ECN 21-156	C
5.13.02	CHANGE AS PER ECN 02-040	B
6.7.96	CHANGE AS PER ECR 96-030	A

KEYSTONE ELECTRONICS CORP.			
www.keyelco.com • NEW HYDE PARK NY 11040 • Tel (516)328-7500			
PART NAME SWAGE THREADED STANDOFF			
MATERIAL BRASS			
FINISH DUCTILE NICKEL PLATE		DRN BY BOONE	DATE 7.01.82
		APP'D LN	SCALE 3X
TOLERANCES DECIMAL ANGULAR UNLESS OTHERWISE SPECIFIED	INCH [MM] ± .005 [± 0.13] ± 1°	CODE C	DWG NO. 1746-

Mouser Electronics

Authorized Distributor

Click to View Pricing, Inventory, Delivery & Lifecycle Information:

[Keystone Electronics:](#)

[1746-3](#)