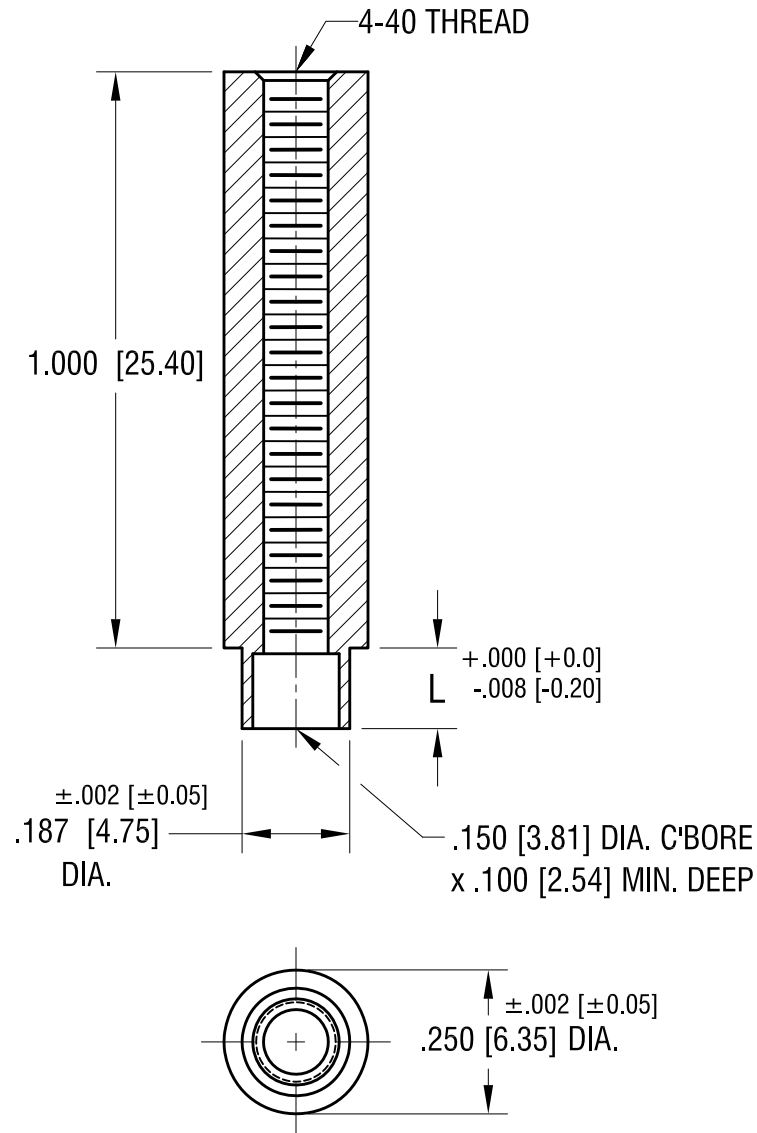
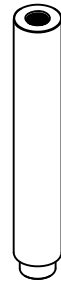


THIS DOCUMENT IS THE PROPERTY OF
KEYSTONE ELECTRONICS CORP. AND
SHALL NOT BE REPRODUCED, DISTRIBUTED
OR USED AS A BASIS FOR MANUFACTURE
WITHOUT PRIOR WRITTEN PERMISSION
FROM KEYSTONE ELECTRONICS CORP.



ACTUAL SIZE



P/N 1652-2

PART NO.	'L' DIM.
1652-2	.109 [2.77]
1652-3	.140 [3.56]

DATE	DESCRIPTION	REV.
11.22.21	CHANGE AS PER ECN21-164	B
1.17.02	CHANGE AS PER ECN 02-006	A

KEYSTONE ELECTRONICS CORP.
www.keyelco.com • NEW HYDE PARK NY 11040 • Tel (516)328-7500

PART NAME: SWAGE THREADED STANDOFF

MATERIAL: BRASS

FINISH: DUCTILE NICKEL PLATE	DRN BY: BOONE	DATE: 11.21.96
	APP'D: LN	SCALE: 3X

TOLERANCES INCH [MM]: DECIMAL ±.005 [±0.13] ANGULAR ± 1° UNLESS OTHERWISE SPECIFIED

CODE: C DWG NO.: 1652-

Mouser Electronics

Authorized Distributor

Click to View Pricing, Inventory, Delivery & Lifecycle Information:

[Keystone Electronics:](#)

[1652-3](#)