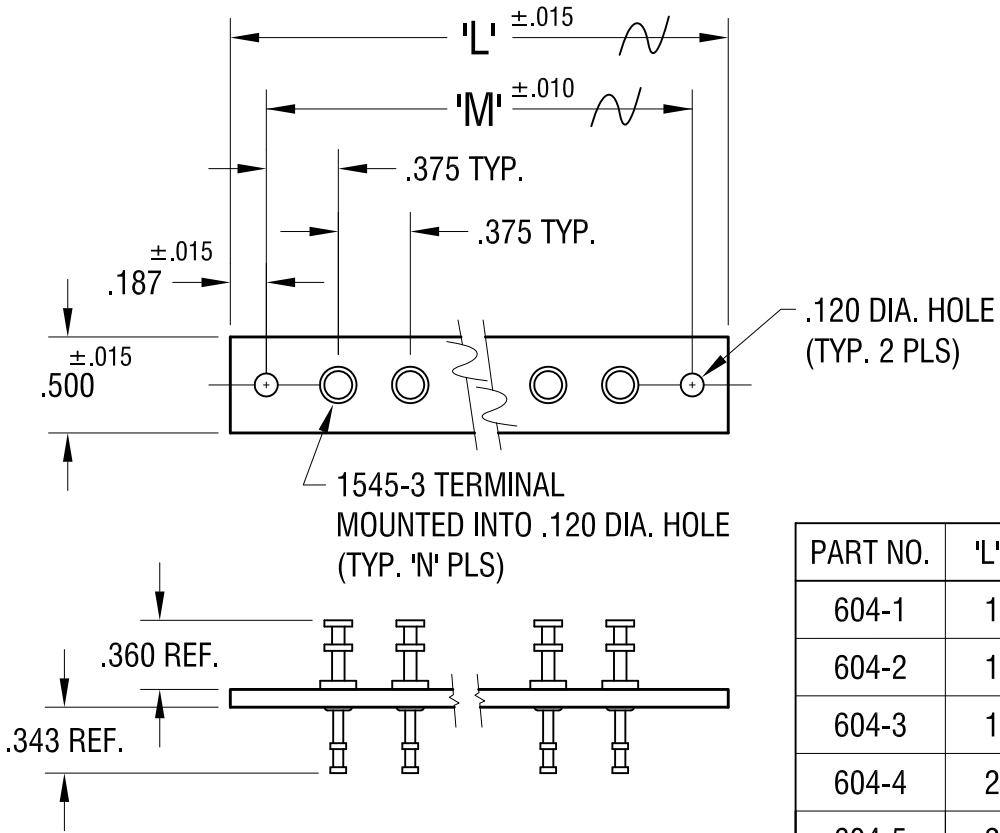


THIS DOCUMENT IS THE PROPERTY OF KEYSTONE ELECTRONICS CORP. AND SHALL NOT BE REPRODUCED, DISTRIBUTED OR USED AS A BASIS FOR MANUFACTURE WITHOUT PRIOR WRITTEN PERMISSION FROM KEYSTONE ELECTRONICS CORP.



PART NO.	'L' DIM.	'M' DIM.	'N' TERM.
604-1	1.125	.750	1
604-2	1.500	1.125	2
604-3	1.875	1.500	3
604-4	2.250	1.875	4
604-5	2.625	2.250	5
604-6	3.000	2.625	6
604-7	3.375	3.000	7
604-8	3.750	3.375	8
604-9	4.125	3.750	9
604-10	4.500	4.125	10

KEYSTONE ELECTRONICS CORP.

www.keyelco.com • ASTORIA, N.Y. 11105-2017 • Tel (718) 956-8900

PART NAME		TURRET TERMINAL BOARD	
MATERIAL		.093 TH'K XP PHENOLIC	
FINISH	AS NOTED	DRN BY	BOONE
		APP'D	LN
		DATE	2.24.82
		SCALE	1X
TOLERANCES	INCH [MM]	CODE	DWG NO.
DECIMAL	± .005 [±]	C	604-1 - 604-10
ANGULAR	± 1°		
UNLESS OTHERWISE SPECIFIED			

6.16.05	CHANGE AS PER ECN 05-039	B
12.2.98	CHANGE AS PER ECR 98-087	A
DATE	DESCRIPTION	REV.

Mouser Electronics

Authorized Distributor

Click to View Pricing, Inventory, Delivery & Lifecycle Information:

[Keystone Electronics:](#)

[604-6](#)