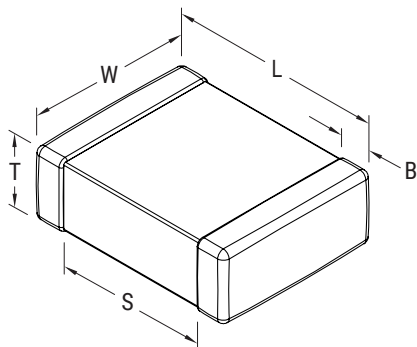


Sample Kit Contents

KEMET Part Number	Case Size	Capacitance	Cap Tolerance	Rated Voltage	T Thickness	Dielectric	Termination	Quantity
	EIA/Metric		%	VDC	mm			
C0603W222KCRCTU	0603/1608	2,200 pF	±10	500	0.80 ± 0.10	X7R	Flexible	50
C0603W332KCRCTU	0603/1608	3,300 pF	±10	500	0.80 ± 0.10	X7R	Flexible	50
C0603W392KCRCTU	0603/1608	3,900 pF	±10	500	0.80 ± 0.10	X7R	Flexible	50
C0603W152KBRCTU	0603/1608	1,500 pF	±10	630	0.80 ± 0.10	X7R	Flexible	50
C0603W102KDRCTU	0603/1608	1,000 pF	±10	1,000	0.80 ± 0.10	X7R	Flexible	50
C0805W153KCRCTU	0805/2012	15,000 pF	±10	500	1.25 ± 0.15	X7R	Flexible	50
C0805W223KCRCTU	0805/2012	22,000 pF	±10	500	1.25 ± 0.15	X7R	Flexible	50
C0805W682KBRCTU	0805/2012	6,800 pF	±10	630	1.25 ± 0.15	X7R	Flexible	50
C0805W103KBRCTU	0805/2012	10,000 pF	±10	630	1.25 ± 0.15	X7R	Flexible	50
C0805W123KBRCTU	0805/2012	12,000 pF	±10	630	1.25 ± 0.15	X7R	Flexible	50
C0805W222KDRCTU	0805/2012	2,200 pF	±10	1,000	1.25 ± 0.15	X7R	Flexible	50
C0805W332KDRCTU	0805/2012	3,300 pF	±10	1,000	1.25 ± 0.15	X7R	Flexible	50
C0805W472KDRCTU	0805/2012	4,700 pF	±10	1,000	1.25 ± 0.15	X7R	Flexible	50
C1206W473KCRCTU	1206/3216	47,000 pF	±10	500	1.70 ± 0.20	X7R	Flexible	50
C1206W683KCRCTU	1206/3216	68,000 pF	±10	500	1.70 ± 0.20	X7R	Flexible	50
C1206W333KBRCTU	1206/3216	33,000 pF	±10	630	1.70 ± 0.20	X7R	Flexible	50
C1206W153KDRCTU	1206/3216	15,000 pF	±10	1,000	1.70 ± 0.20	X7R	Flexible	50
C1206W223KDRCTU	1206/3216	22,000 pF	±10	1,000	1.70 ± 0.20	X7R	Flexible	50
C1210W124KCRCTU	1210/3225	0.12 µF	±10	500	2.10 ± 0.20	X7R	Flexible	50
C1210W154KCRCTU	1210/3225	0.15 µF	±10	500	2.10 ± 0.20	X7R	Flexible	50
C1210W104KBRCTU	1210/3225	0.10 µF	±10	630	2.50 ± 0.30	X7R	Flexible	50
C1210W333KDRCTU	1210/3225	33,000 pF	±10	1,000	1.25 ± 0.20	X7R	Flexible	50
C1210W473KDRCTU	1210/3225	47,000 pF	±10	1,000	2.10 ± 0.20	X7R	Flexible	50
C1210W683KDRCTU	1210/3225	68,000 pF	±10	1,000	2.50 ± 0.30	X7R	Flexible	50
C1808W154KCRCTU	1808/4520	0.15 µF	±10	500	1.60 ± 0.15	X7R	Flexible	25
C1808W104KBRCTU	1808/4520	0.10 µF	±10	630	2.00 ± 0.15	X7R	Flexible	25
C1812W224KCRCTU	1812/4532	0.22 µF	±10	500	1.70 ± 0.15	X7R	Flexible	25
C1812W334KCRCTU	1812/4532	0.33 µF	±10	500	2.10 ± 0.20	X7R	Flexible	25
C1812W154KBRCTU	1812/4532	0.15 µF	±10	630	1.70 ± 0.20	X7R	Flexible	25
C1812W104KDRCTU	1812/4532	0.10 µF	±10	1,000	1.70 ± 0.15	X7R	Flexible	25
C1825W394KCRCTU	1825/4564	0.39 µF	±10	500	2.50 ± 0.20	X7R	Flexible	25
C1825W224KBRCTU	1825/4564	0.22 µF	±10	630	1.40 ± 0.15	X7R	Flexible	25
C1825W274KBRCTU	1825/4564	0.27 µF	±10	630	2.00 ± 0.20	X7R	Flexible	25
C2220W474KCRCTU	2220/5650	0.47 µF	±10	500	2.50 ± 0.20	X7R	Flexible	25
C2220W334KBRCTU	2220/5650	0.33 µF	±10	630	2.50 ± 0.20	X7R	Flexible	25
C2225W564KCRCTU	2225/5664	0.56 µF	±10	500	2.50 ± 0.20	X7R	Flexible	25
C2225W474KBRCTU	2225/5664	0.47 µF	±10	630	2.50 ± 0.20	X7R	Flexible	25

Dimensions – Millimeters (Inches) – Flexible Termination



EIA Size Code	Metric Size Code	L Length	W Width	T Thickness	B Bandwidth	S Separation Minimum	Mounting Technique
0603	1608	1.60 (0.064) ±0.17 (0.007)	0.80 (0.032) ±0.15 (0.006)	See Table 2 for Thickness	0.45 (0.018) ±0.15 (0.006)	0.58 (0.023)	Solder wave or Solder reflow
0805	2012	2.00 (0.079) ±0.30 (0.012)	1.25 (0.049) ±0.30 (0.012)		0.50 (0.02) ±0.25 (0.010)	0.75 (0.030)	
1206	3216	3.30 (0.130) ±0.40 (0.016)	1.60 (0.063) ±0.35 (0.013)		0.60 (0.024) ±0.25 (0.010)	N/A	
1210	3225	3.30 (0.130) ±0.40 (0.016)	2.60 (0.102) ±0.30 (0.012)		0.60 (0.024) ±0.25 (0.010)		Solder reflow only
1808	4520	4.70 (0.185) ±0.50 (0.020)	2.00 (0.079) ±0.20 (0.008)		0.70 (0.028) ±0.35 (0.014)		
1812	4532	4.50 (0.178) ±0.40 (0.016)	3.20 (0.126) ±0.30 (0.012)		0.70 (0.028) ±0.35 (0.014)		
1825	4564	4.60 (0.181) ±0.40 (0.016)	6.40 (0.252) ±0.40 (0.016)		0.70 (0.028) ±0.35 (0.014)		
2220	5650	5.90 (0.232) ±0.75 (0.030)	5.00 (0.197) ±0.40 (0.016)		0.70 (0.028) ±0.35 (0.014)		
2225	5664	5.90 (0.232) ±0.75 (0.030)	6.40 (0.248) ±0.40 (0.016)		0.70 (0.028) ±0.35 (0.014)		

Mouser Electronics

Authorized Distributor

Click to View Pricing, Inventory, Delivery & Lifecycle Information:

[KEMET:](#)

[CER ENG KIT 25](#)