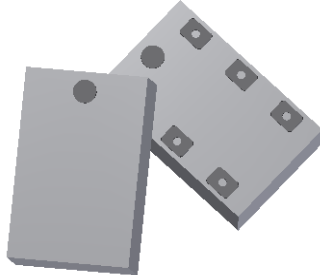




Ultra Low Profile 0805 Balun
50Ω to 50Ω Balanced

Description:



The B0322J5050AHF is a low profile sub-miniature balanced to unbalanced transformer designed for differential inputs and output locations on next generation wireless chipsets in an easy to use surface mount package covering the GSM frequency. The B0322J5050AHF is ideal for high volume manufacturing and is higher performance than traditional ceramic and lumped element baluns. The B0322J5050AHF has an unbalanced port impedance of 50Ω and a 50Ω balanced port impedance. This transformation enables single ended signals to be applied to differential ports on modern semiconductors. The output ports have equal amplitude (-3dB) with 180 degree phase differential. The B0322J5050AHF is available on tape and reel for pick and place high volume manufacturing.

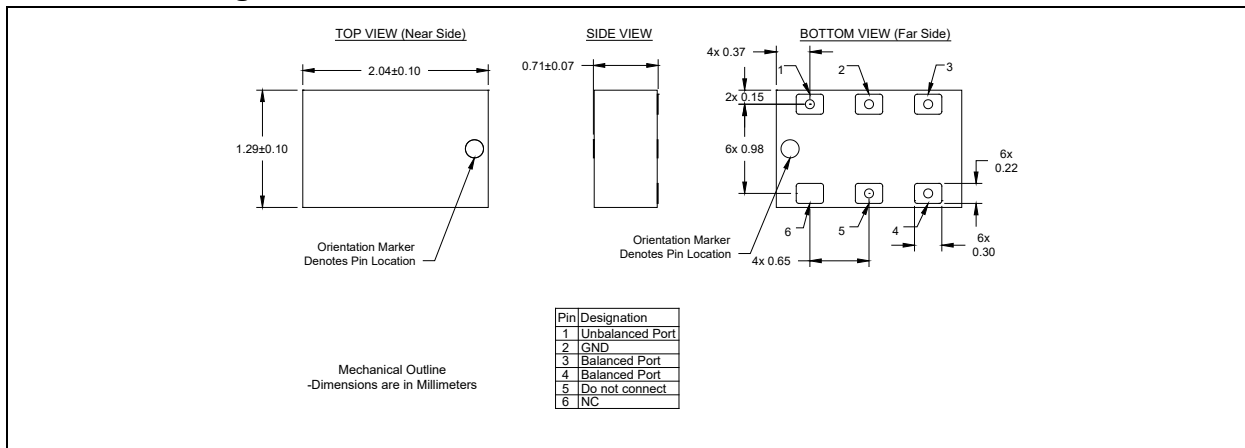
Detailed Electrical Specifications:

Specifications subject to change without notice.

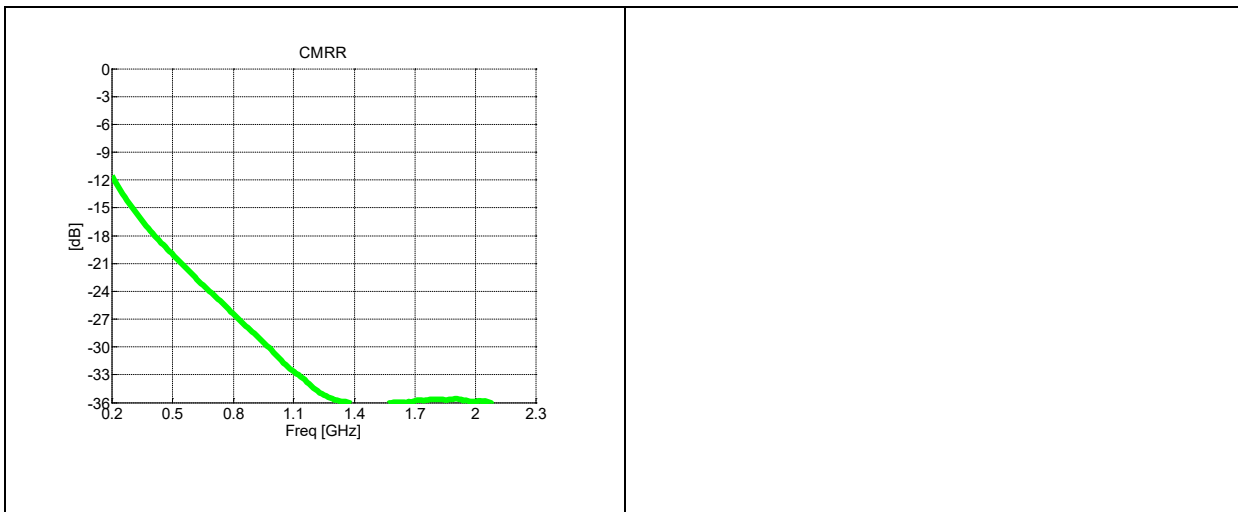
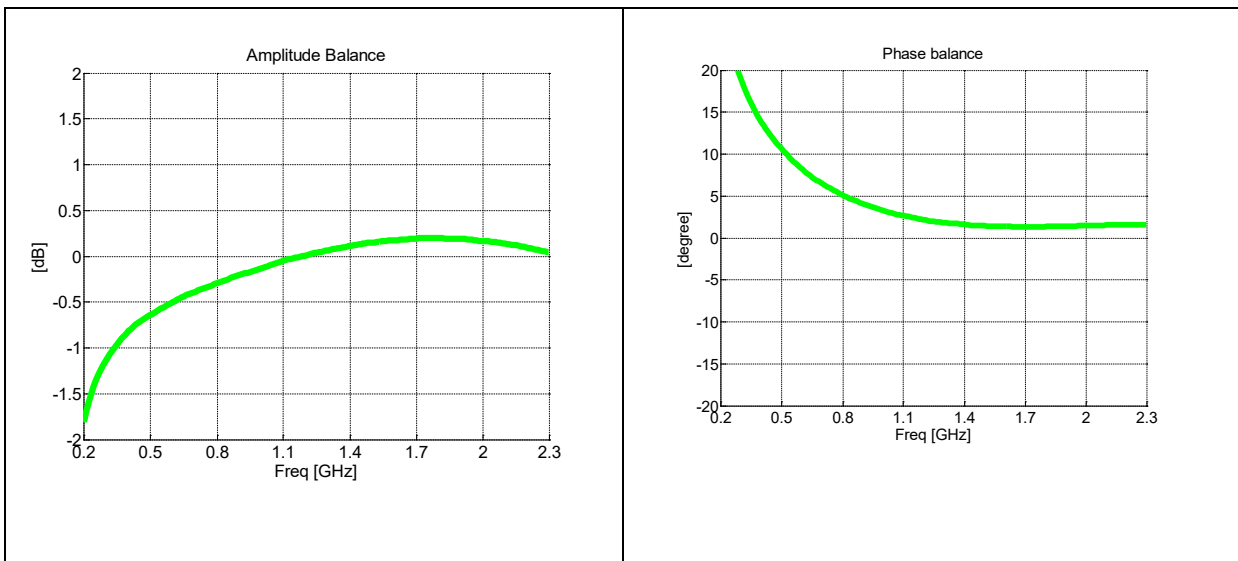
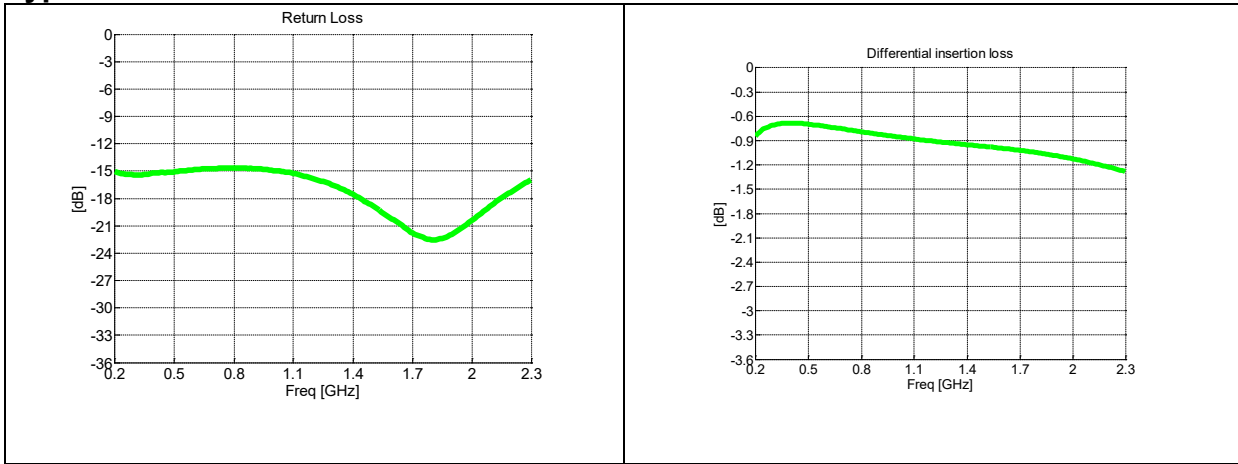
Parameter	ROOM (25°C)						Unit
	Min.	Typ.	Max	Min.	Typ.	Max	
Features:							
• 300 – 2200 MHz							
• 0.7mm Height Profile							
• 50 Ohm to 2 x 25 Ohm							
• Low Insertion Loss							
• Surface Mountable							
• Tape & Reel							
• Non-conductive Surface							
• RoHS Compliant							
• Halogen Free							
Frequency	300		2200	700		2000	MHz
Unbalanced Port Impedance		50			50		Ω
Balanced Port Impedance		50			50		Ω
Return Loss	12.2	16		12.2	16		dB
Insertion Loss*		1.3	1.6		1.1	1.5	dB
Amplitude Balance		1.1	1.3		0.4	0.7	dB
Phase Balance		17	21		7	9	Degree s
CMRR		15			24		dB
Power Handling @85C			2			2	Watts
Power Handling @105C			1.2			1.2	Watts
Operating Temperature	-55		+140	-55		+140	°C

Insertion Loss stated at room temperature (Insertion Loss is approximately 0.1 dB higher at +85 °C)

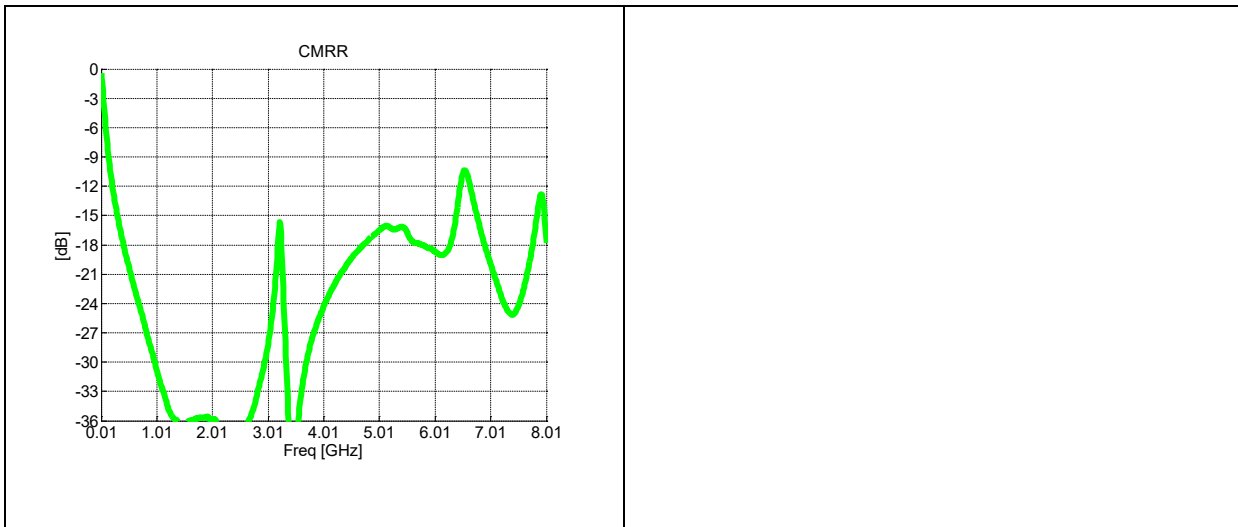
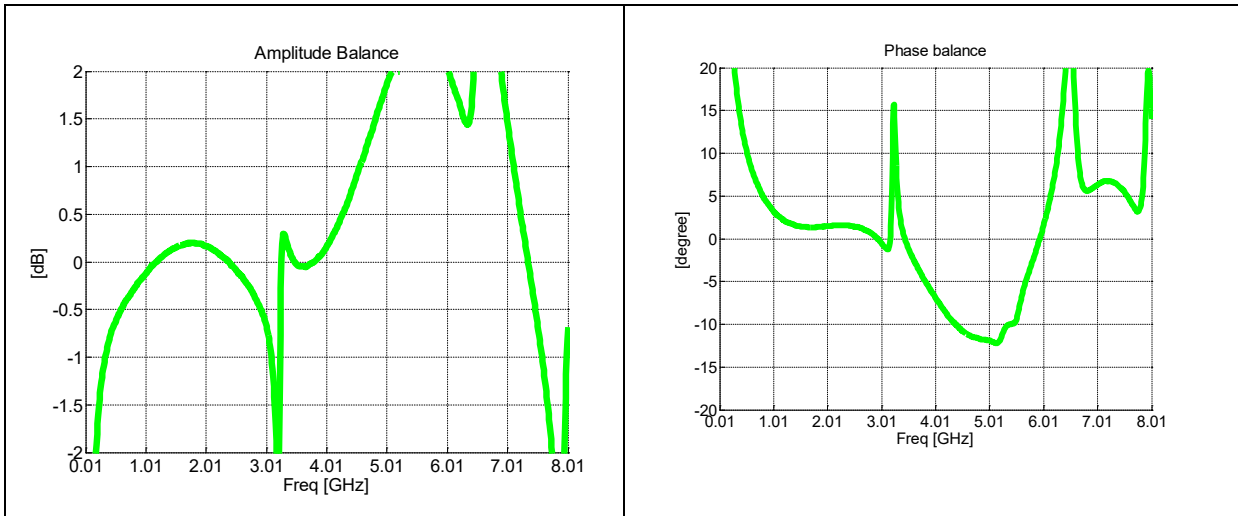
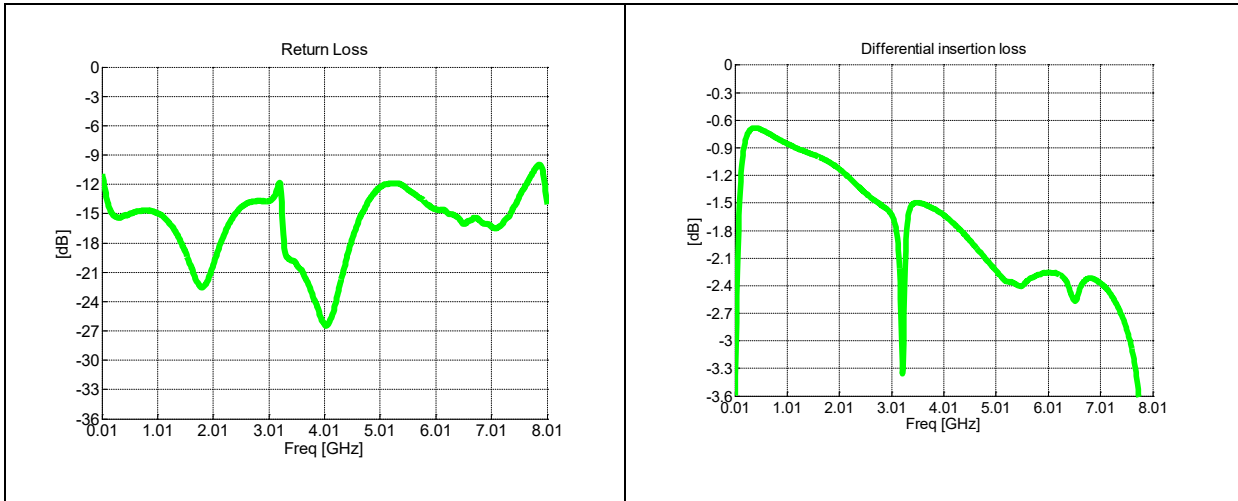
Outline Drawing:



Typical Performance: 0.2 GHz – 2.3 GHz



Broadband Performance: 10 MHz to 8010 MHz

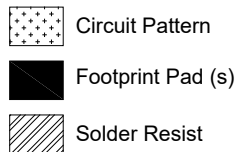


Mounting Configuration:

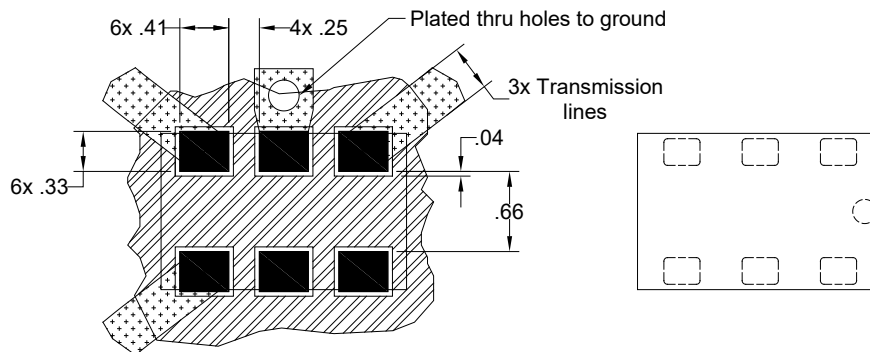
In order for Xinger surface mount components to work optimally, the proper impedance transmission lines must be used to connect to the RF ports. If this condition is not satisfied, insertion loss, Isolation and VSWR may not meet published specifications.

All of the Xinger components are constructed from organic PTFE based composites which possess excellent electrical and mechanical stability. Xinger components are compliant to a variety of ROHS and Green standards and ready for Pb-free soldering processes. Pads are Gold plated with a Nickel barrier.

An example of the PCB footprint used in the testing of these parts is shown below. In specific designs, the transmission line widths need to be adjusted to the unique dielectric coefficients and thicknesses as well as varying pick and place equipment tolerances.

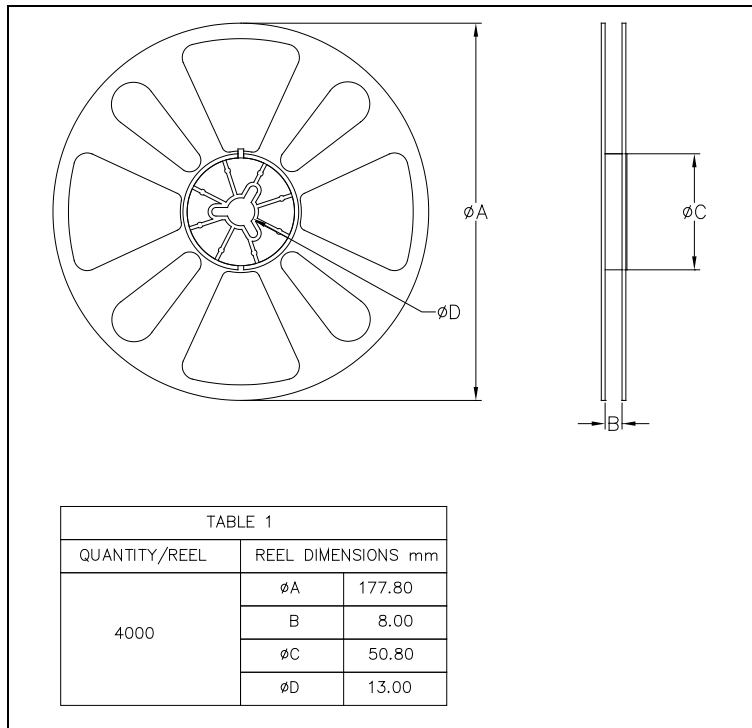
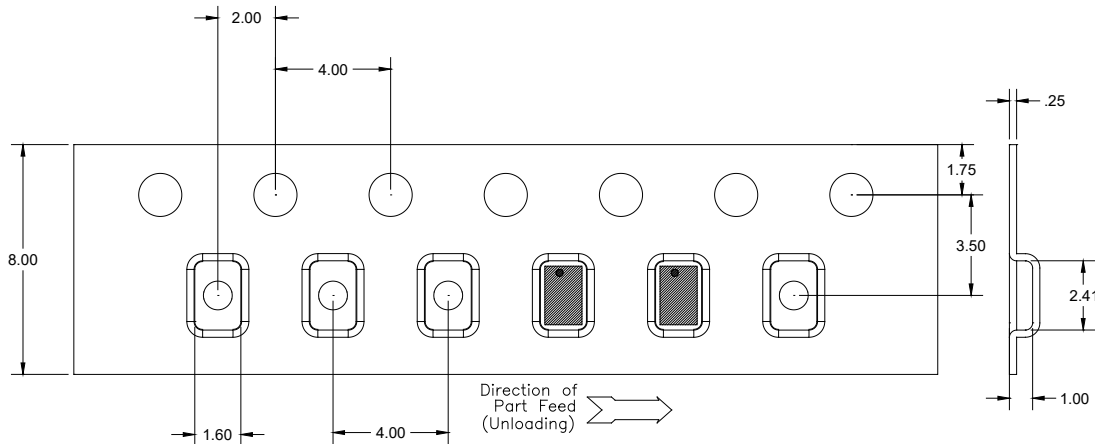


Dimensions are in Millimeters
Mounting Footprint



Packaging and Ordering Information:

Parts are available in reel and are packaged per EIA 481-D. Parts are oriented in tape and reel as shown below. Minimum order quantities are 4000 per reel.



Contact us:
rf&s_support@ttm.com

Mouser Electronics

Authorized Distributor

Click to View Pricing, Inventory, Delivery & Lifecycle Information:

[TTM Technologies:](#)

[B0322J5050AHF](#)