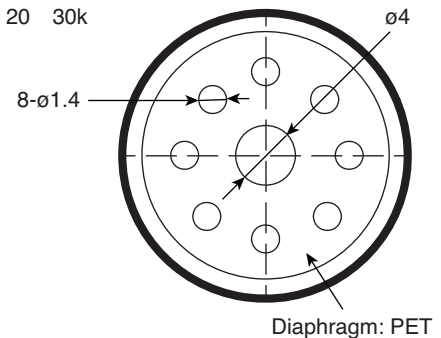
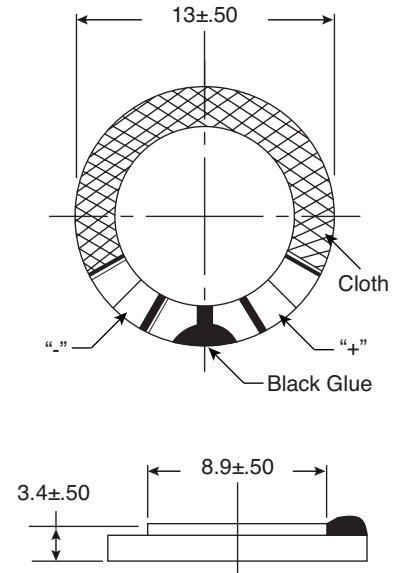
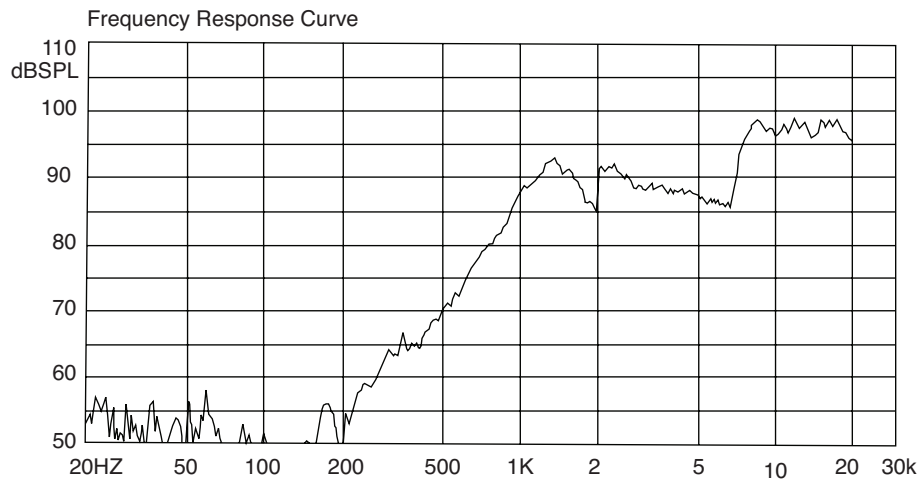


Part Number:

254-DS136-RO

Dynamic Speaker



KT-400534

Electrical Specifications:

- Rated Input Power: 0.5W
- Max. Input Power: 1.0W for 1min.
- Impedance: $16\Omega \pm 15\%$ at 1KHz 1V
- Resonant Frequency (Fo): $1300\text{Hz} \pm 20\%$ at Fo
- Frequency Range: Fo - 20KHz
- Sound Pressure Level: $90\text{dB} (0.5\text{W}/0.1\text{M}) \pm 3\text{dB}$

Mechanical Specifications:

- Operating Temperature: -20°C to $+60^\circ\text{C}$
- Storage Temperature: -30°C to $+70^\circ\text{C}$

Materials:

- Magnet: Nd-Fe-B

Soldering Specifications:

- Recommend using constant searing-iron
- Temperature Range: $360 \pm 5^\circ\text{C}$ for 2 seconds

Note:

- RoHS Compliant

Mouser Electronics

Authorized Distributor

Click to View Pricing, Inventory, Delivery & Lifecycle Information:

[Kobitone:](#)

[254-DS136-RO](#)