
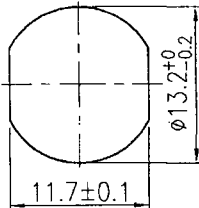
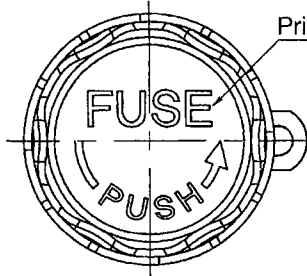
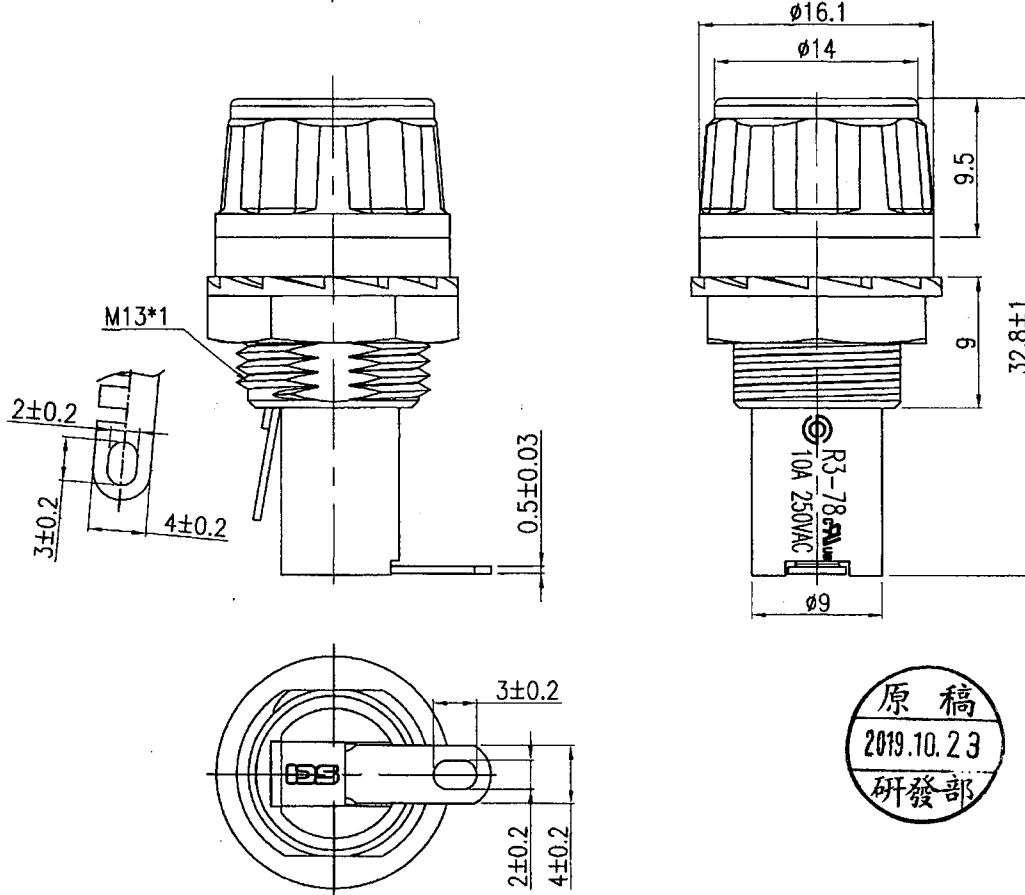


Rating	10A 250V AC 	
Insulation Resistance	DC 500V 100M ohm Min	
Dielectric Strength	AC 1500V 1 minute	
Operation Temperature	-20°C~85°C	
Fuse Size	Ø5*20 mm	

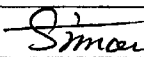


Print no special orientation

Material:  
Housing: Black, PF  
Knob: Black, PBT  
Knob cover: Red, ABS  
Terminals: Tin Plated Brass  
Printed: White, Hot stamping



Tolerances ±0.3 Unless Otherwise Specified

								△
								△
Date	Name	Description					No.	
Drawn	Checked	Approved	SCI BOM No	1310931	Model Name	FUSE HOLDER		
袁浩徐			Customer No	112-R3-78A-2N4-R	Model No.	R3-78A-2N4	Rev.	
09/24/19		10/8-19	Unit	mm	Shin Chin Industrial Co., Ltd.			0

# Mouser Electronics

Authorized Distributor

Click to View Pricing, Inventory, Delivery & Lifecycle Information:

[Shin Chin:](#)

[R3-78A-2N4-R](#)