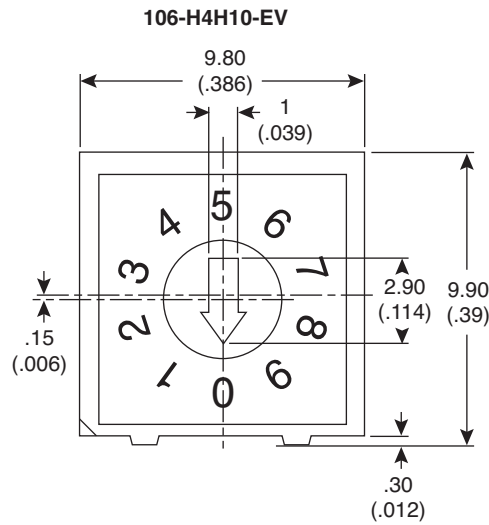
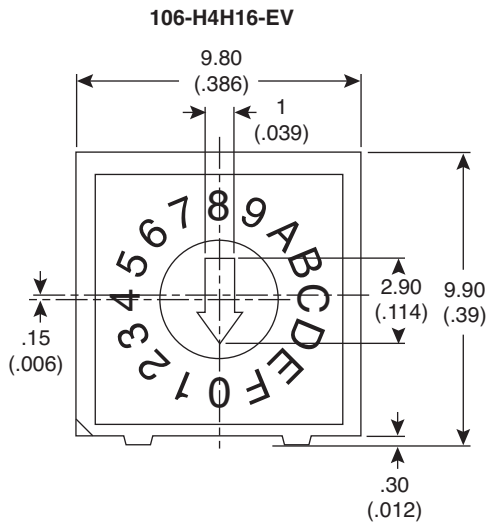
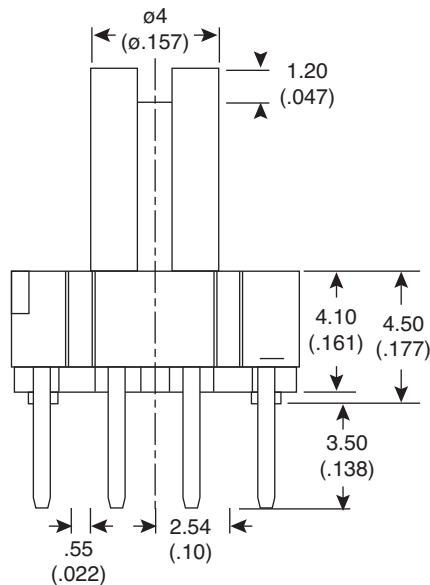
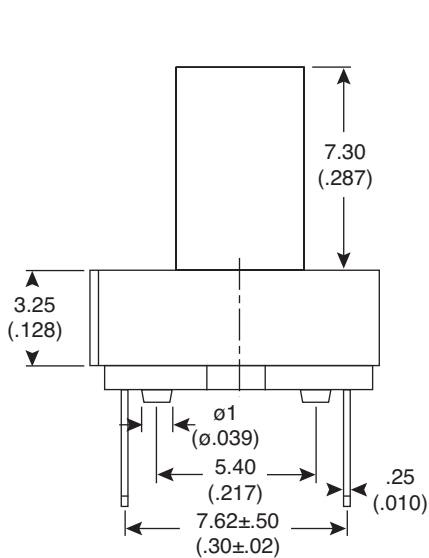
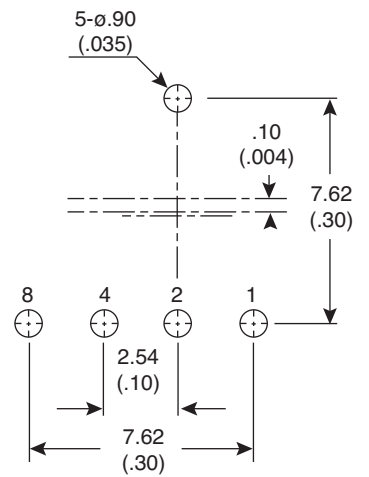


Dimensions: mm (in.)



PCB Layout



Circuit Chart

		CODE			
		1	2	4	8
10 STEP	0	●	●	●	●
	1	○	●	●	●
	2	●	○	●	●
	3	○	○	●	●
	4	●	●	○	●
	5	○	●	○	●
	6	○	○	○	●
	7	○	○	○	●
	8	●	●	●	○
	9	○	○	●	○
16 STEP	A	●	○	○	○
	B	○	○	●	○
	C	●	○	○	○
	D	○	●	○	○
	E	●	○	○	○
	F	○	○	○	○

○ REAL CODE  
● COMPLEMENTARY CODE

Electrical Specifications:

- Rating  
Non-Switching: 100mA/50V DC  
Switching: 25mA/24V DC
- Contact Resistance: 100m $\Omega$  Max. (initial)
- Insulation Resistance: 250V DC 100M $\Omega$
- Dielectric Strength: 250V AC for 1 min.

Mechanical Specifications:

- Operating Temperature: -25°C - +80°C
- Storage Temperature: -40°C - +85°C
- Operation Force: 200gf cm Max.

Note:

- RoHS Compliant

Rotary Dip Switches  
106-H4H10-EV, 106-H4H16-EV



# Mouser Electronics

Authorized Distributor

Click to View Pricing, Inventory, Delivery & Lifecycle Information:

[Mountain Switch:](#)

[106-H4H16-EV](#) [106-H4H10-EV](#)