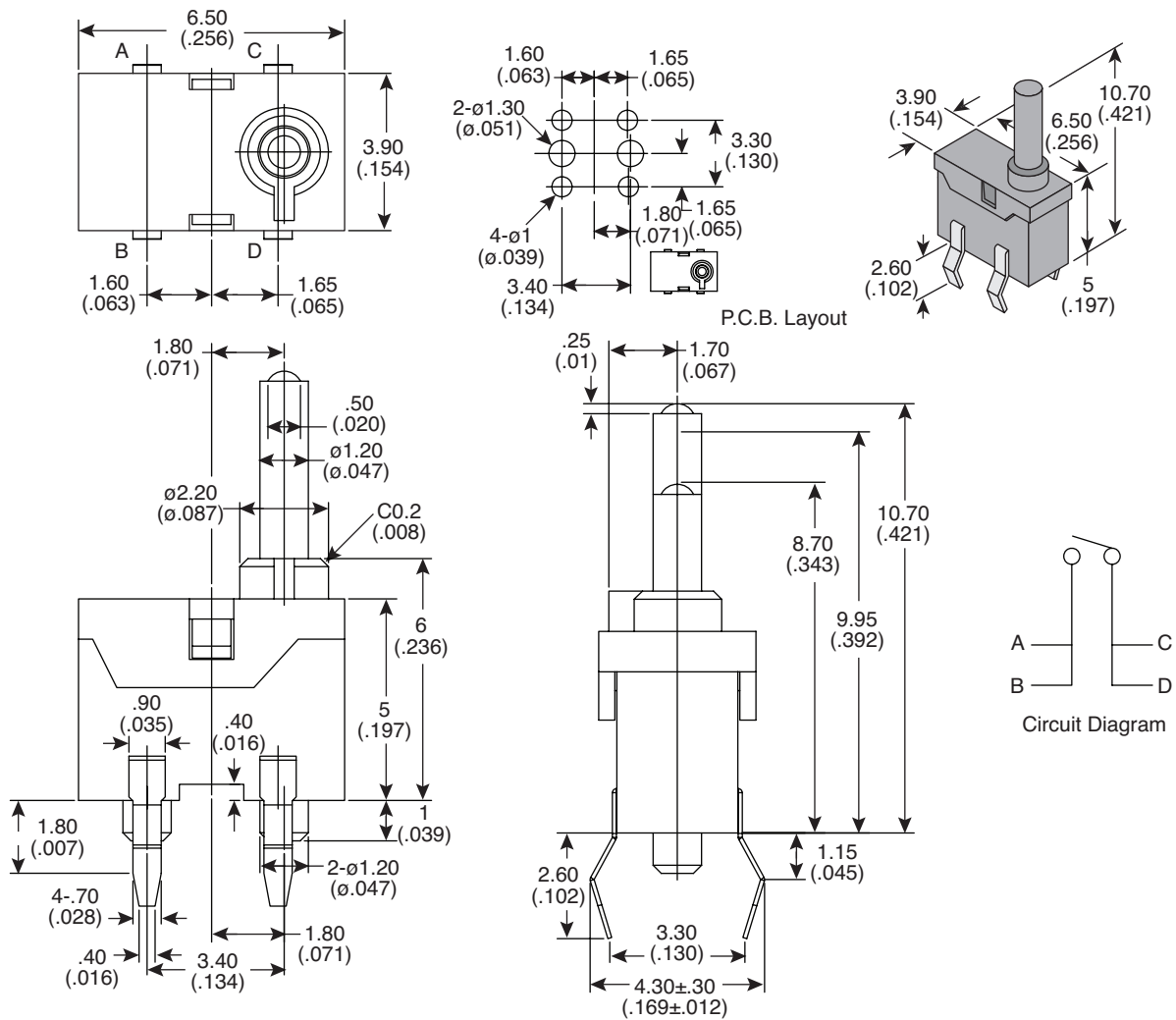


Dimensions: mm (in.)



Electrical Specifications:

- Rating: 5mA/5V DC
- Contact Resistance: 500m Ω Max.
- Insulation Resistance: 100M Ω Min.
- Dielectric Strength: 250 VAC (50Hz or 60Hz) shall be applied across terminals and cover for 1 minute
- Electrical Life: 50,000 cycles

Mechanical Specifications:

- Operating Temperature: -20° C to +70° C
- Operation Force: 30gf Max.
- Storage Temperature: -30° C to +80° C
- Stroke: 2mm Max.

Note:

- RoHS Compliant

Detector Switch
104-TE912-EV



Available from Mouser Electronics

www.mouser.com

1-800-346-6873

Mouser Electronics

Authorized Distributor

Click to View Pricing, Inventory, Delivery & Lifecycle Information:

[Mountain Switch:](#)

[104-TE912-EV](#)