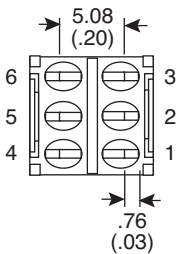
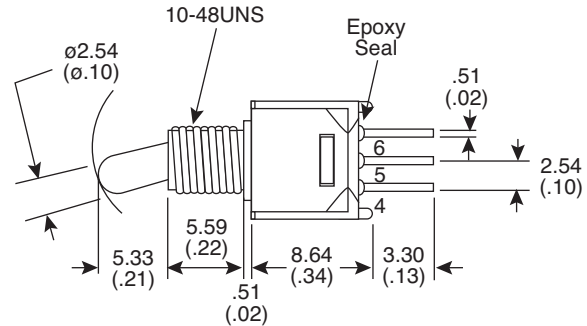
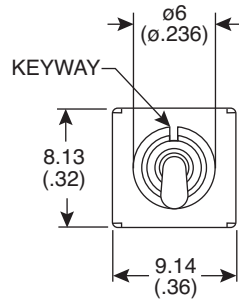
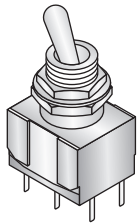
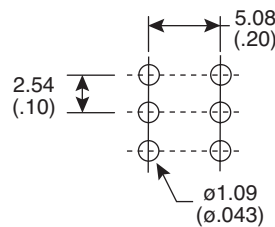


Dimensions: mm (in.)



P.C. MOUNTING



POS.1	POS.2
ON	ON
2-3, 5-6	2-1, 5-4
2 Comm. 1 3	2 Comm. 1 3
5 Comm. 4 6	5 Comm. 4 6

**Electrical Specifications:**

- Contact Resistance: 20mΩ max. initial @ 2-4VDC 100mA
- Insulation Resistance: 1,000MΩ min.
- Dielectric Strength: 1,000 V RMS@ sea level.
- Rating: 1A / 250 VAC, 3A / 120 VAC or 28 VDC

**Mechanical Specifications:**

- Operating Temperature: -30° C to +85° C

**Note:**

- RoHS Compliant by Exemption

**Materials:**

- Case: Diallyl phthalate (DAP)
- Acuator: Brass, chrome plated
- Bushing: Brass, nickel plated
- Housing: Stainless steel
- Switch Support: Brass, tin plated
- Terminal/Contact: Brass, silver plated

**Toggle Switch**  
108-2MD1T2B3M2QE-EVX



# Mouser Electronics

Authorized Distributor

Click to View Pricing, Inventory, Delivery & Lifecycle Information:

[Mountain Switch:](#)

[108-2MD1T2B3M2QE-EVX](#)