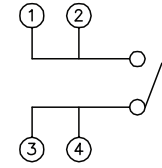
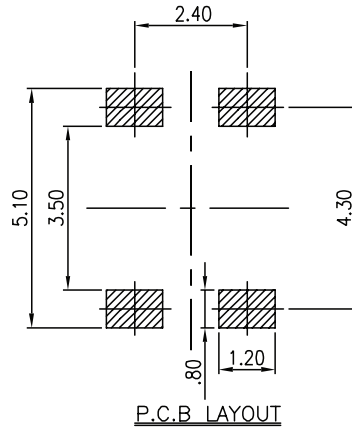
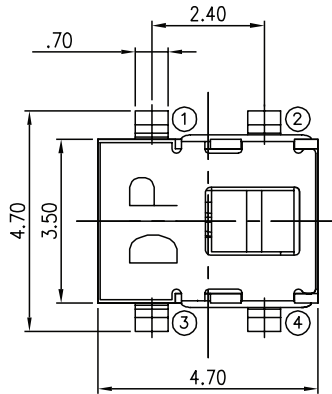
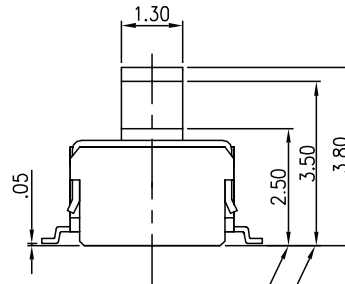
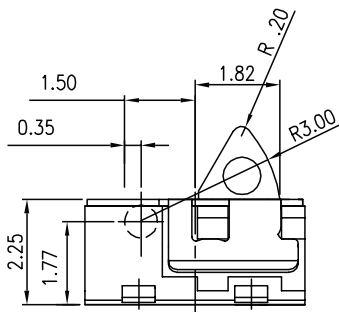


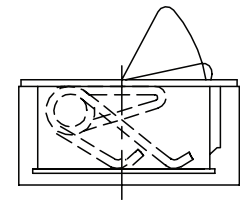
Dimensions: mm



CIRCUIT DIAGRAM



ON starting position
Total travel position



Electrical Specifications:

- Rating(max.): 10mA/5VDC
- Contact Resistance: 1Ω Max.
- Insulation Resistance: 100MΩ Min. at 100VDC.
- Dielectric Strength: 100VAC 1 minute

Mechanical Specifications:

- Operating Temperature: -40°C to +85°C
- Operating Life: 100,000 Cycles
- Operating Force: 36gf Max.

Note:

- RoHS Compliant

Detector Switch
101-J1QR-EV



Mouser Electronics

Authorized Distributor

Click to View Pricing, Inventory, Delivery & Lifecycle Information:

[Eagle Plastic Devices:](#)

[101-J1QR-EV](#)