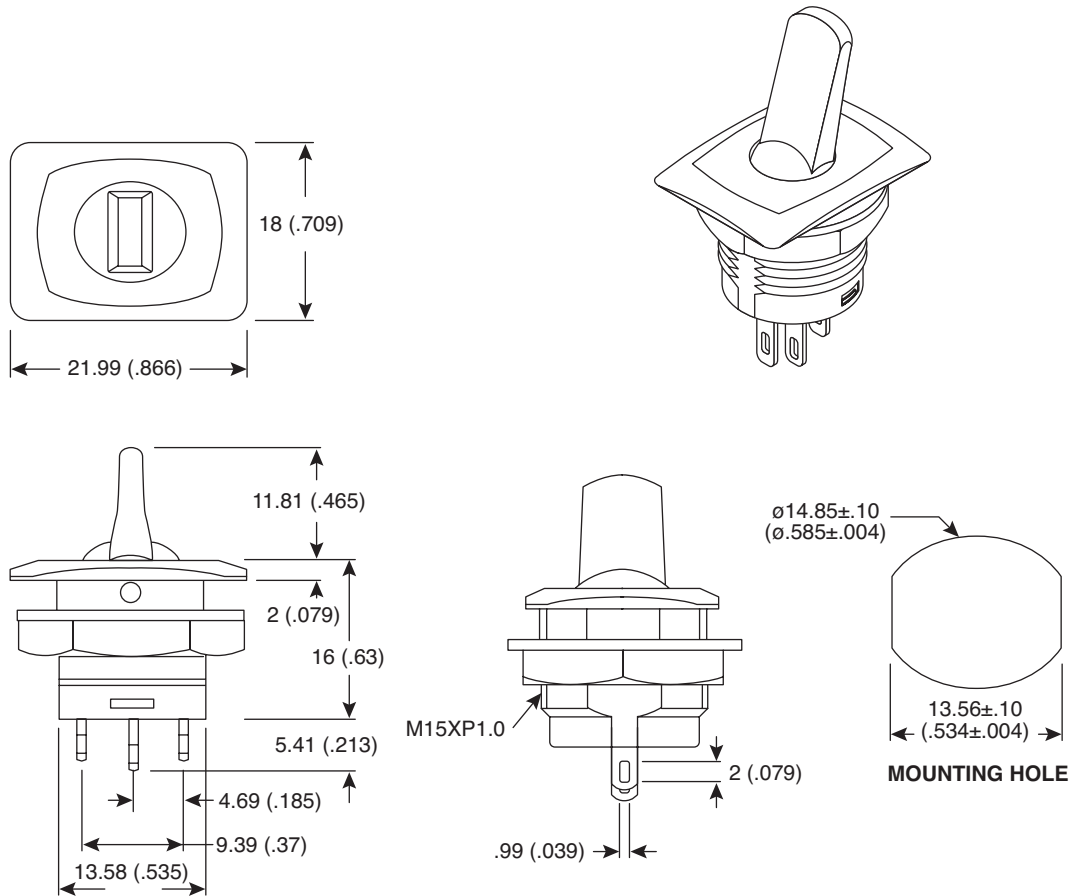


Dimensions: mm (In.)



**Electrical Specifications:**

- Rating: 6A/125VAC, 3A/250VAC
- Contact resistance: 50mΩ max.
- Insulation resistance: 500VDC 100MΩ min.
- Dielectric strength: 1500VAC for 1 minute

**Mechanical Specifications:**

- Switching function: 3P SPDT On-On

**Note:**

- RoHS Compliant

**Toggle Switch**  
103-4023-EV

**Mountain**  
**Switch**

# Mouser Electronics

Authorized Distributor

Click to View Pricing, Inventory, Delivery & Lifecycle Information:

[Mountain Switch:](#)

[103-4023-EV](#)