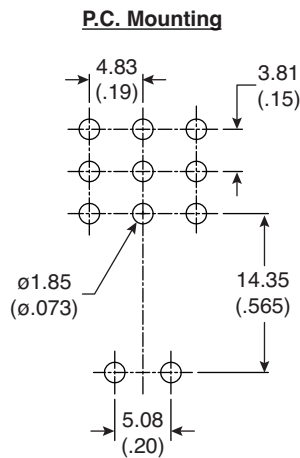
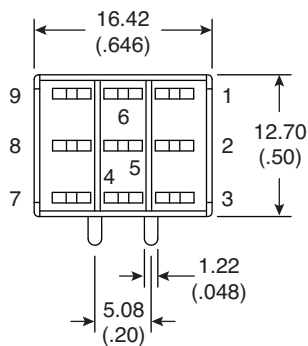
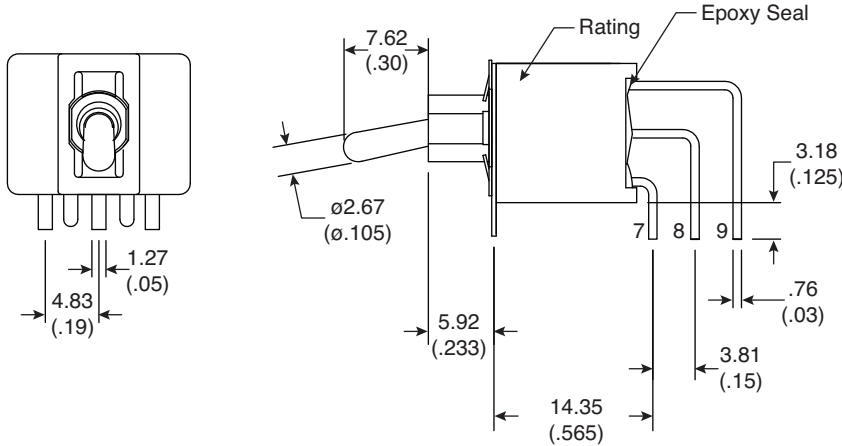
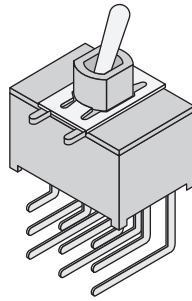


Dimensions: mm (in)



POS.1	POS.2
ON	(ON)
2-3,5-6,8-9	2-1,5-4,8-7

Switch Function

Electrical Specifications:

- Contact resistance: 10mΩ max. initial @ 2-4VDC 100mA
- Insulation resistance: 1,000MΩ min.
- Dielectric strength: 1,000 V RMS@sea level
- Rating: 2A / 250VAC; 5A / 120VAC or 28VDC

Mechanical Specifications:

- Mechanical life: 30,000 make-and-break cycles
- Operating temperature: -30°C to 85°C

Soldering Process:

- Manual Soldering: Use soldering iron of 30 watts, controlled at 350°C approximately 5 sec. while applying solder.
- Wave Soldering: Recommended Soldering Temperature: 260±5°C
Duration of Solder Immersion: 5±1sec. (PCB is 1.6mm in thickness)

Note:

- RoHS Compliant by Exemption

Sealed Miniature Toggle Switch
108-1A32T2716-EVX



Mouser Electronics

Authorized Distributor

Click to View Pricing, Inventory, Delivery & Lifecycle Information:

[Mountain Switch:](#)

[108-1A32T2716-EVX](#)