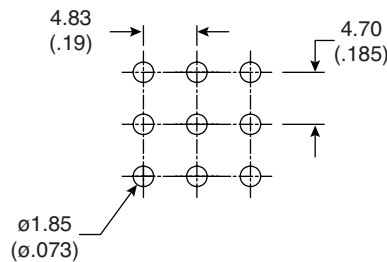
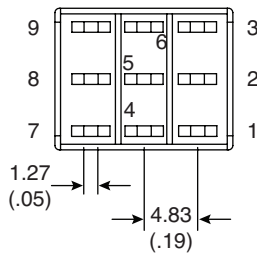
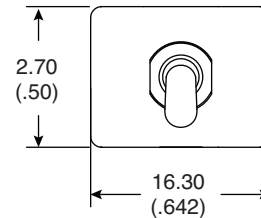
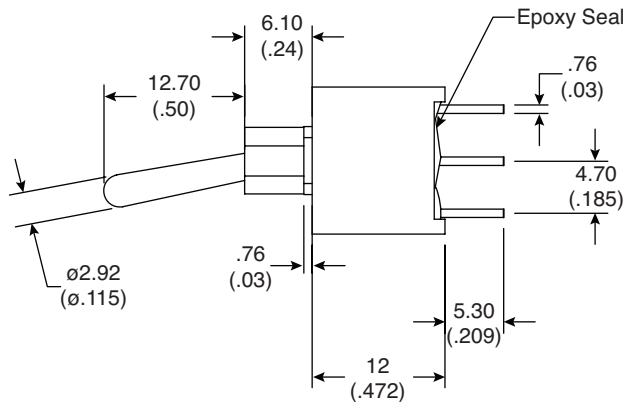
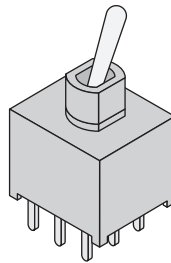


Dimensions: mm (In.)



P.C. Mounting

POS.1	POS.2	POS.3
ON	OFF	ON
2-3,5-6,8-9	OPEN	2-1,5-4,8-7

Switch Function

**Electrical Specifications:**

- Contact resistance: 10mΩ max. initial @ 2-4VDC 100mA
- Insulation resistance: 1,000MΩ min.
- Dielectric strength: 1,000 V RMS@sea level
- Rating: 2A / 250VAC; 5A / 120VAC or 28VDC

**Mechanical Specifications:**

- Mechanical life: 30,000 make-and-break cycles
- Operating temperature: -30°C to 85°C

**Note:**

- RoHS Compliant by Exemption

**Sealed Miniature Toggle Switch**  
108-1A33T1282-EVX



# Mouser Electronics

Authorized Distributor

Click to View Pricing, Inventory, Delivery & Lifecycle Information:

[Mountain Switch:](#)

[108-1A33T1282-EVX](#)