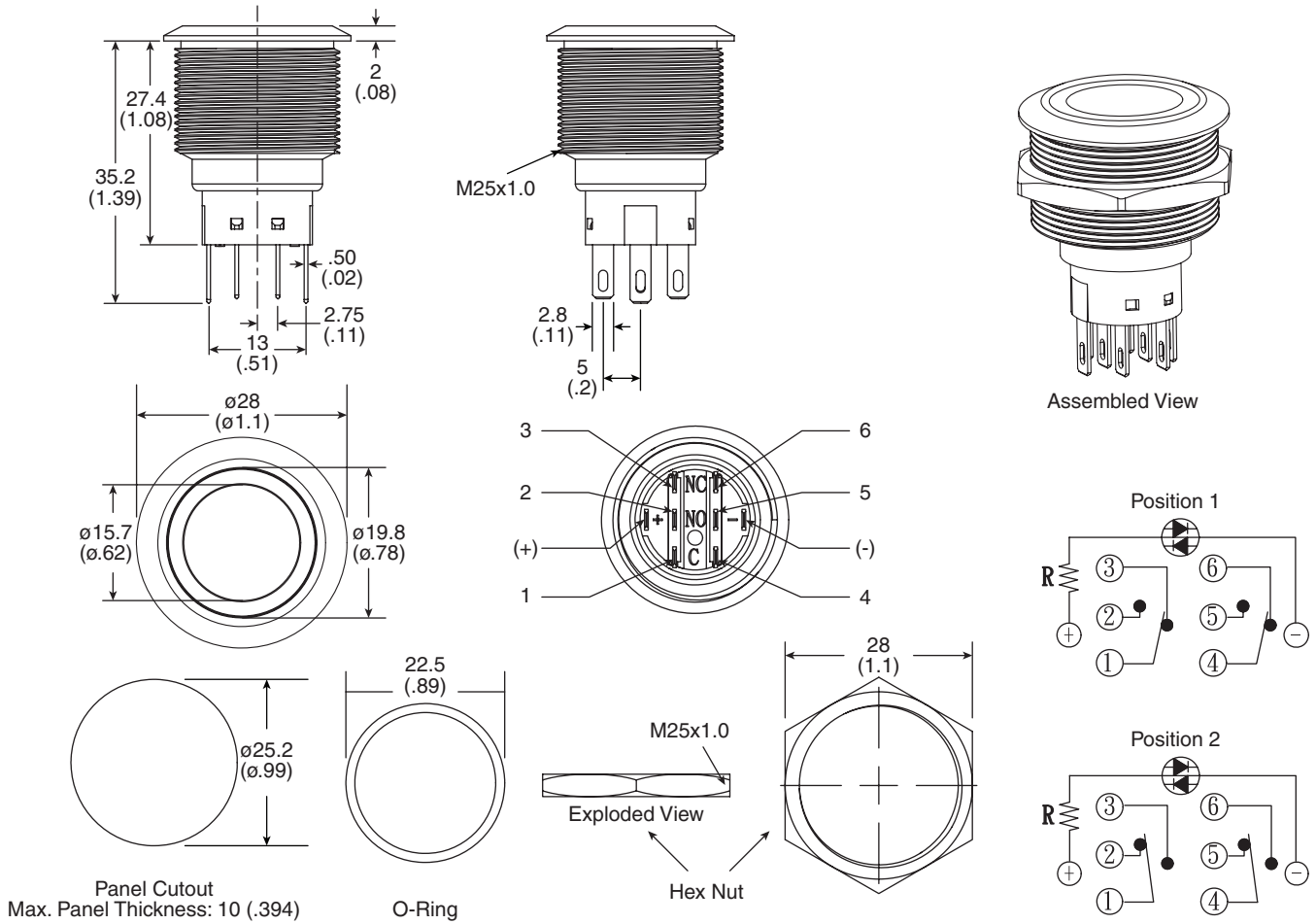


Dimensions: mm (in.)



Mechanical Specifications:

- Life: Self-Lock 500,000
- Operating Temperature: -20°C to +55°C
- Travel: About 3.2mm
- LED Color: Blue

Material:

- Body Type & Color: Stainless Steel, Natural

Electrical Specifications:

- Rating: 5A/250VAC. resistive load 3A/250VAC.
- Life: 50,000 Make-and Break Cycles at Full Load
- Insulation Resistance: 1,000MΩ Min. at 500VDC.
- Dielectric Strength: 2,000V RMS @ sea level.
- Contact Resistance: 50mΩ Max. @1A 12VDC (initial value)
- LED Voltage: 6V

Note:

- RoHS Compliant by Exemption

Illuminated Pushbutton Switch
108-25217-EVX



Mouser Electronics

Authorized Distributor

Click to View Pricing, Inventory, Delivery & Lifecycle Information:

[Mountain Switch:](#)

[108-25217-EVX](#)