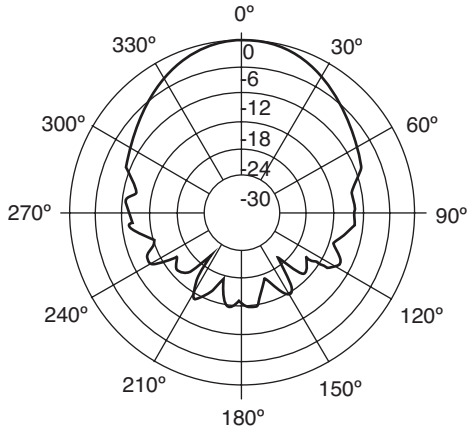


**Part Number:**

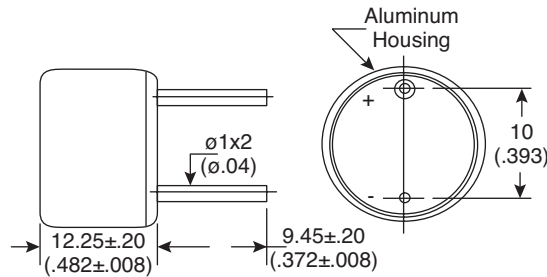
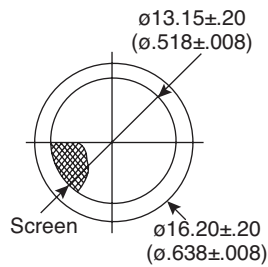
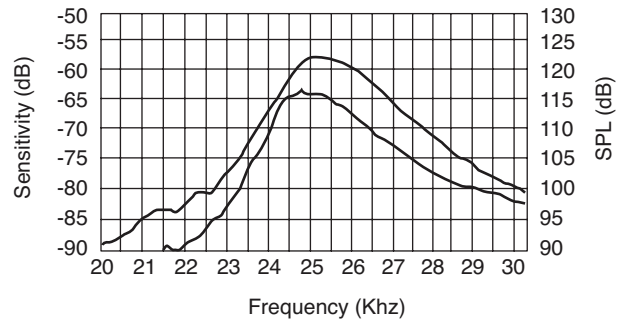
255-250ST16P-ROX,  
255-250SR16P-ROX

Ultrasonic Transducers

**Beam Angle**  
Tested at 25.0Khz Frequency



**Sensitivity/Sound Pressure Level**  
Tested under 10Vrms @ 30cm



KT-400315

**Electrical Specifications:**

- Center Frequency: 25.0±1.0KHz
- Sensitivity: 255-250SR16P-ROX = -62dB min. @ 25KHz (0dB=1 Volt/ $\mu$ bar)
- Capacitance: 2400±20%pF @ 1KHz
- SPL: 255-250ST16P-ROX= 112dB min. @ 25KHz (0dB = 0.0002  $\mu$ bar)

**Mechanical Specifications:**

- Type: Transmitter: 255-250ST16P-ROX  
Receiver: 255-250SR16P-ROX
- Operating Temperature: -30°C to +70°C
- Storage Temperature: -40 to -80°C

**Note:**

- RoHS Compliant by Exemption

# Mouser Electronics

Authorized Distributor

Click to View Pricing, Inventory, Delivery & Lifecycle Information:

[Kobitone:](#)

[255-250SR16P-ROX](#) [255-250ST16P-ROX](#)