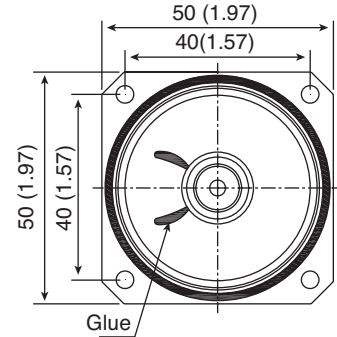
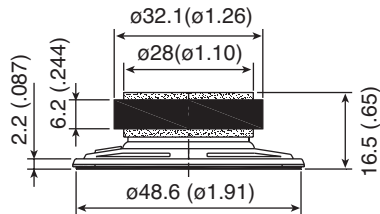
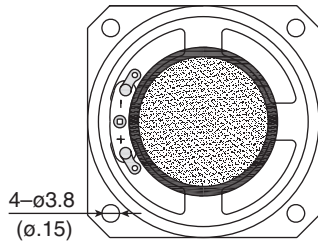
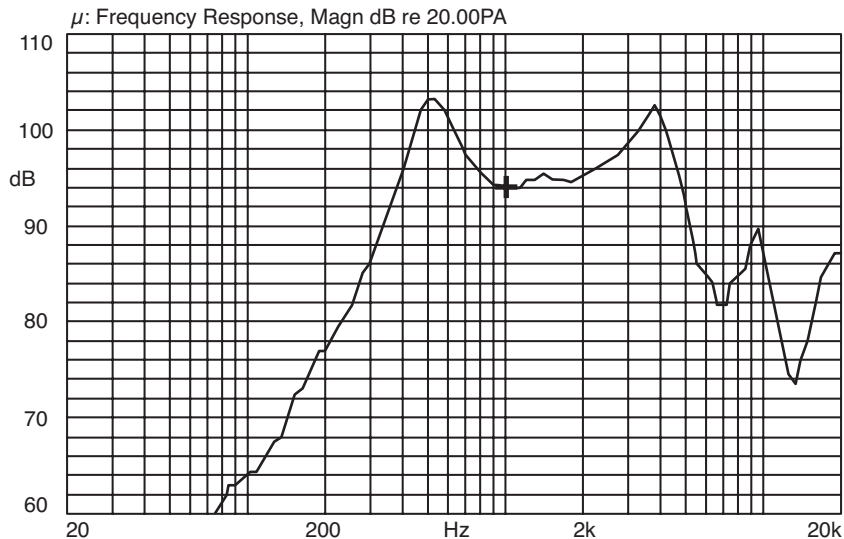


Part Number:

254-DS5053-RO



Dynamic Speaker



Electrical Specifications:

- Rated Input Power: 0.2W
- Max. Input Power: 1.0W for 1 min.
- Impedance: $8\Omega \pm 15\%$ at 1.0K Hz 1V
- Resonance Frequency (F_0): $550\text{Hz} \pm 20\%$ at F_0 , 1V
- Sensitivity (S.P.L.): 82 dB (1.0W/1.0M) ± 3 dB
94 dB (0.2W/0.1M) ± 3 dB
- Frequency Range: F_0 -4.5KHz

Material:

- Magnet: Ferrite
- Diaphragm: Paper
- Gasket: Paper

Mechanical Specifications:

KT-400543

- Operating temperature: -20°C to $+60^\circ\text{C}$
- Storage temperature: -30°C to $+70^\circ\text{C}$

Soldering Specifications:

- Recommend using constant searing-iron in temperature range $360 \pm 5^\circ\text{C}$.
Soldering time 2 seconds.

Note:

- RoHs Compliant

Mouser Electronics

Authorized Distributor

Click to View Pricing, Inventory, Delivery & Lifecycle Information:

[Kobitone:](#)

[254-DS5053-RO](#)