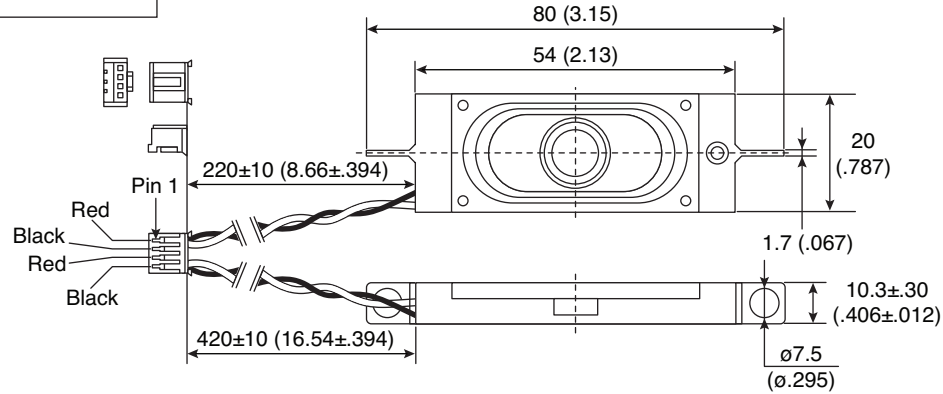
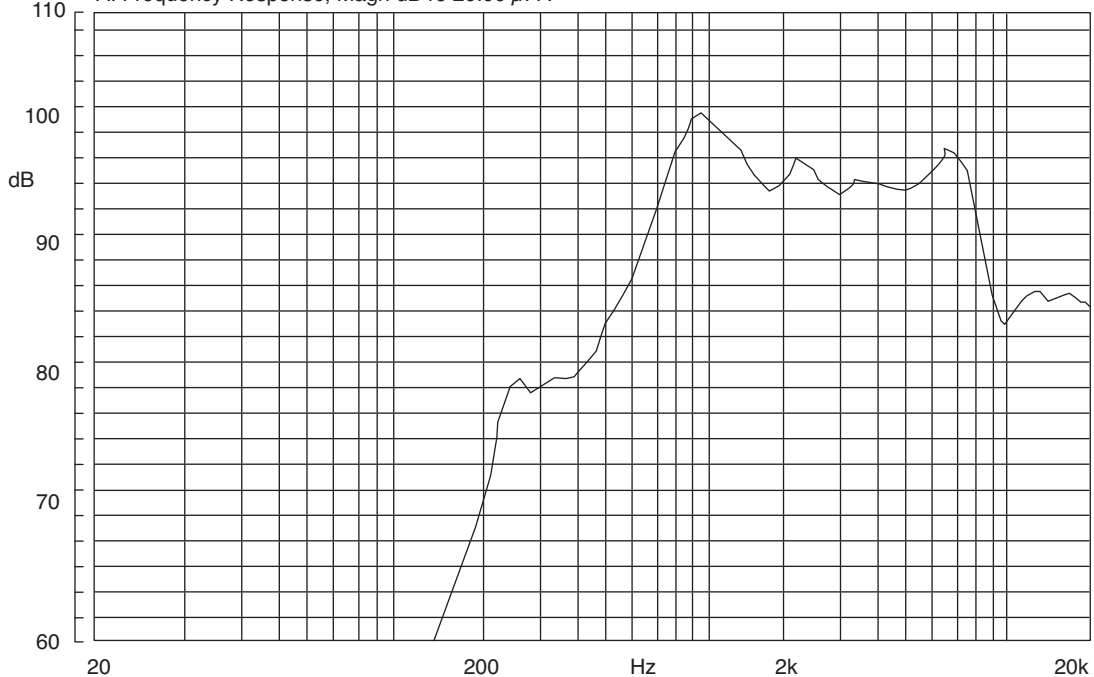


Part Number:

254-DS548-RO



A: Frequency Response, Magn dB re 20.00 μ PA



Dynamic Speaker

KT-400443

Electrical Specifications:

- Rated Input Power: 1.0 W (Long time)
- Max Input Power: 2.0 W (Short time)
- Impedance: $8\Omega \pm 15\%$ at 2000Hz
- Resonant Frequency (F_0): $900\text{Hz} \pm 20\%$ at F_0 , 1V
- Sensitivity (SPL): $89\text{dB}(0.1\text{W}/\text{m}) \pm 3\text{dB}$
 $97\text{dB}(1.0\text{W}/0.1\text{m}) \pm 3\text{dB}$
- Frequency Range: $F_0 - 20\text{K Hz}$

Material:

- Magnet: Nd-Fe-B
- Wire: UL1007, 26 AWG
- Connector: JST-PHR-4 Equivalent

Note:

- RoHS Compliant
- Sold as a pair

Mechanical Specifications:

- Operating Temperature: $-20^\circ\text{C} \sim +60^\circ\text{C}$
- Storage Temperature: $-30^\circ\text{C} \sim +70^\circ\text{C}$

Mouser Electronics

Authorized Distributor

Click to View Pricing, Inventory, Delivery & Lifecycle Information:

[Kobitone:](#)

[254-DS548-RO](#)