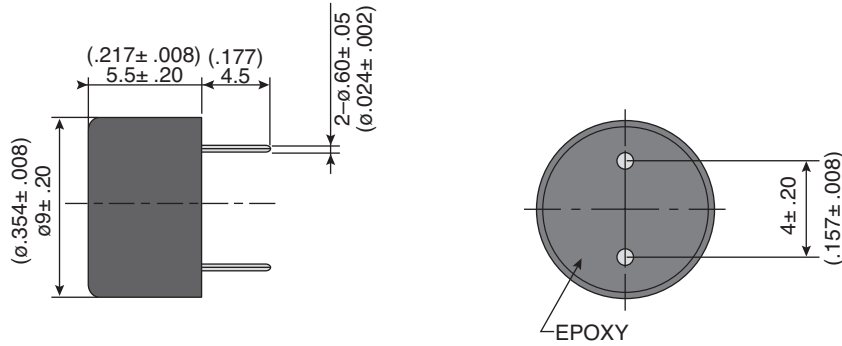
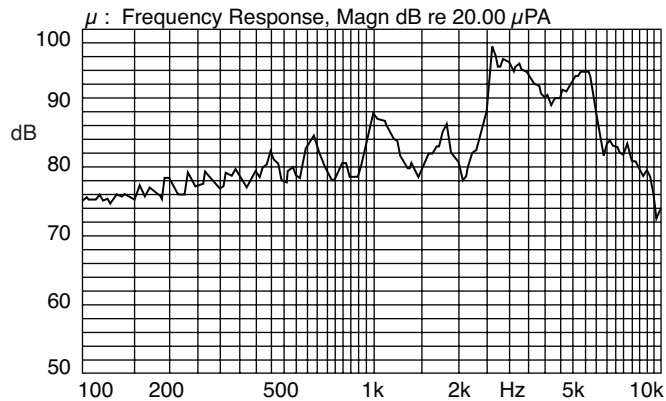


Part Number:

254-EMB95-RO



Frequency Response Curve:



Magnetic Buzzer

KT-400378

Electrical Specifications:

- Rated Voltage: 5Vo-p
- Operating Voltage: 4 ~ 6Vo-p
- Rated Current: 60mA(Max)
- Direct Current Resistance: $40\Omega \pm 4$
- Sound Output: 85dBA(Min)
- Rated Frequency: 2731Hz

Mechanical Specifications:

- Operating Temperature: $-20^{\circ}\text{C} \sim +70^{\circ}\text{C}$
- Storage Temperature: $-30^{\circ}\text{C} \sim +80^{\circ}\text{C}$

Note:

- RoHS Compliant

Mouser Electronics

Authorized Distributor

Click to View Pricing, Inventory, Delivery & Lifecycle Information:

[Kobitone:](#)

[254-EMB95-RO](#)