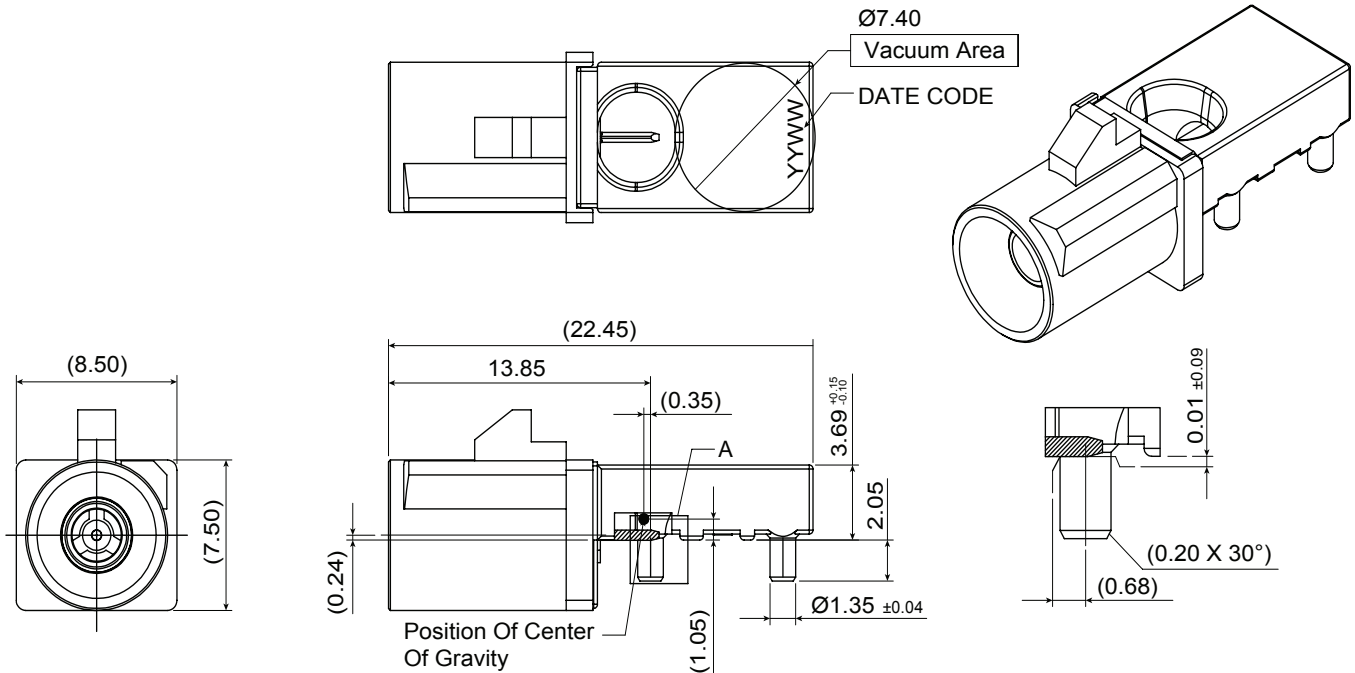
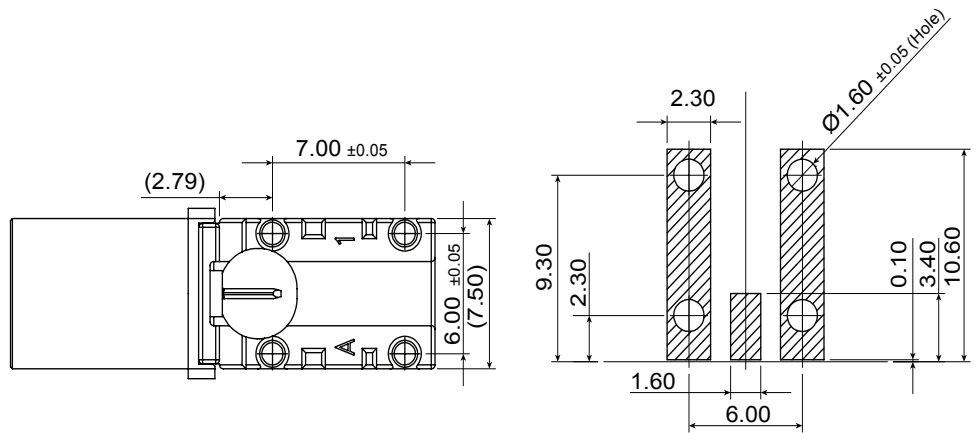


DIMENSIONS: mm

Date Last Revised: 06/24/24



Mouser Stock No.	Color
156-4120-E	Black
156-4121-E	White
156-4122-E	Blue
156-4123-E	Bordeaux
156-4124-E	Green
156-4125-E	Brown
156-4126-E	Gray
156-4127-E	Violet
156-4128-E	Beige
156-4129-E	Curry
156-4130-E	Pastel Green
156-4131-E	Water Blue



Recommended P.C.B Layout  
Tolerance: ±0.02mm

### Material Specifications:

- Insulator: LCP E130i
- Contacts: Brass C2680
- Shell: Zamak3

### Electrical Specifications:

- Impedance: 50Ω
- Insulator Resistance: 1000MΩ Min. at 100VDC
- Withstand Voltage: AC 780Vrms Min. 60Hz
- Voltage Rating: AC 335Vrms
- Current Rating: 1.0A Max.
- Contact Resistance: 5MΩ Max. at 20mV Max.

Note: RoHS Compliant

Available from Mouser Electronics  
1-800-346-6873 / [www.mouser.com](http://www.mouser.com)

KC-301573

# Mouser Electronics

Authorized Distributor

Click to View Pricing, Inventory, Delivery & Lifecycle Information:

[Kobiconn:](#)

[156-4125](#) [156-4127-E](#) [156-4129-E](#) [156-4131-E](#) [156-4123-E](#) [156-4125-E](#) [156-4122-E](#) [156-4126-E](#) [156-4120-E](#)  
[156-4130-E](#) [156-4128-E](#) [156-4121-E](#) [156-4124-E](#)