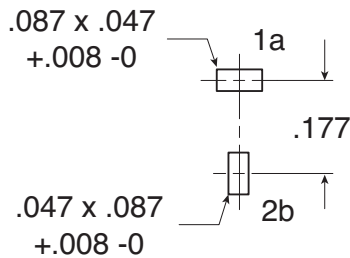
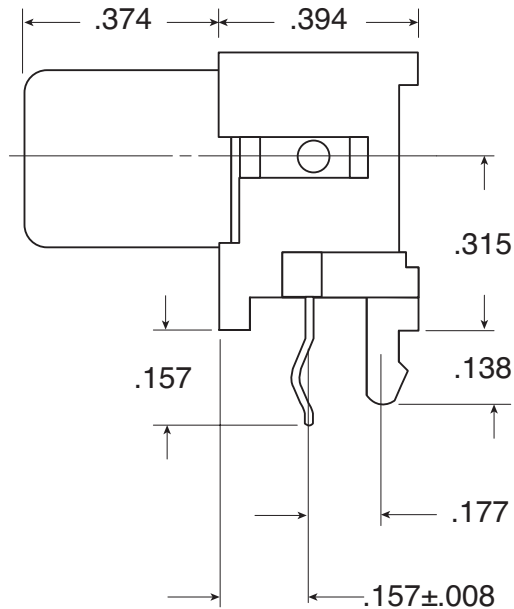
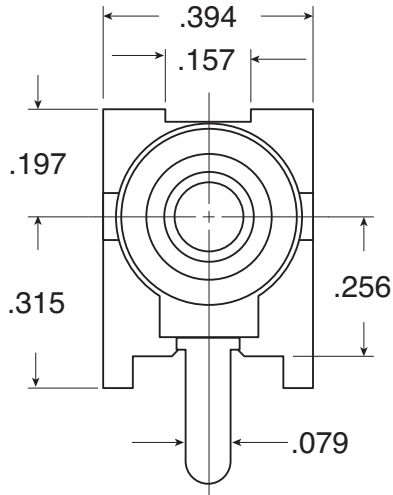
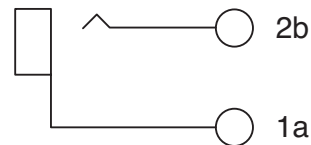


DIMENSIONS: In.



PCB Hole Layout



Circuit Diagram

SPECIFICATIONS :

- Type: Snap-In Mount Phono
 - Dielectric Strength: 500VAC for 1 Minute
 - Insulation Resistance: 100MΩ @ 500VDC
 - Contact Resistance: 30mΩ max. @ 1A/500VDC
 - Housing: PBT
 - Sleeve: Cu/Sn Plated
 - Tip Contact: Cu/Sn Plated
- RoHS Compliant

MOUSER STOCK NO.	Insulator Color
156-0096-E	Red
156-0097-E	Black
156-0098-E	White
161-0099-E	Yellow

Mouser Electronics

Authorized Distributor

Click to View Pricing, Inventory, Delivery & Lifecycle Information:

[Kobiconn:](#)

[156-2442-E](#) [156-0096-E](#) [156-0097-E](#) [156-0098-E](#) [156-0099-E](#) [161-3402SHA-E](#)