

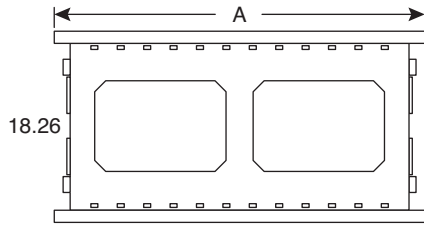
IDC DIP Flat Cable Plugs

151-2P40-E

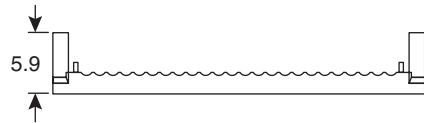
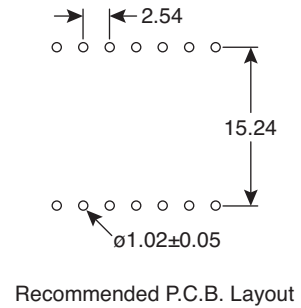
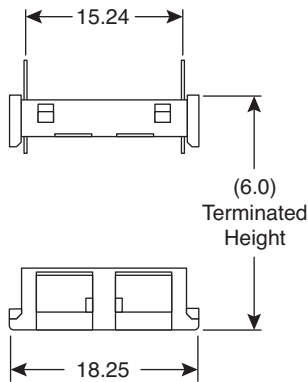
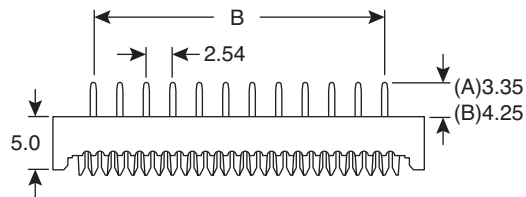


IDC DIP Flat Cable Plugs

DIMENSIONS: mm



Position	A	B
40	56.08	48.26



SPECIFICATIONS

Insulator Material:	PBT, glass reinforced
Contact Material:	Phosphor Bronze
Current Rating:	1 Amp
Contact Resistance:	30 mΩ max.
Insulation Resistance:	3000 MΩ min.
Dielectric Withstanding Voltage:	500 V AC for 1 minute
Operating Temperature:	-40°C to +105°C
RoHS Compliant	

Date Last Revised: 6-13-12

Available from Mouser Electronics
1-800-346-6873 / www.mouser.com

KC-301392

151-2P40-E

Mouser Electronics

Authorized Distributor

Click to View Pricing, Inventory, Delivery & Lifecycle Information:

[Kobiconn:](#)

[151-2P40-E](#)