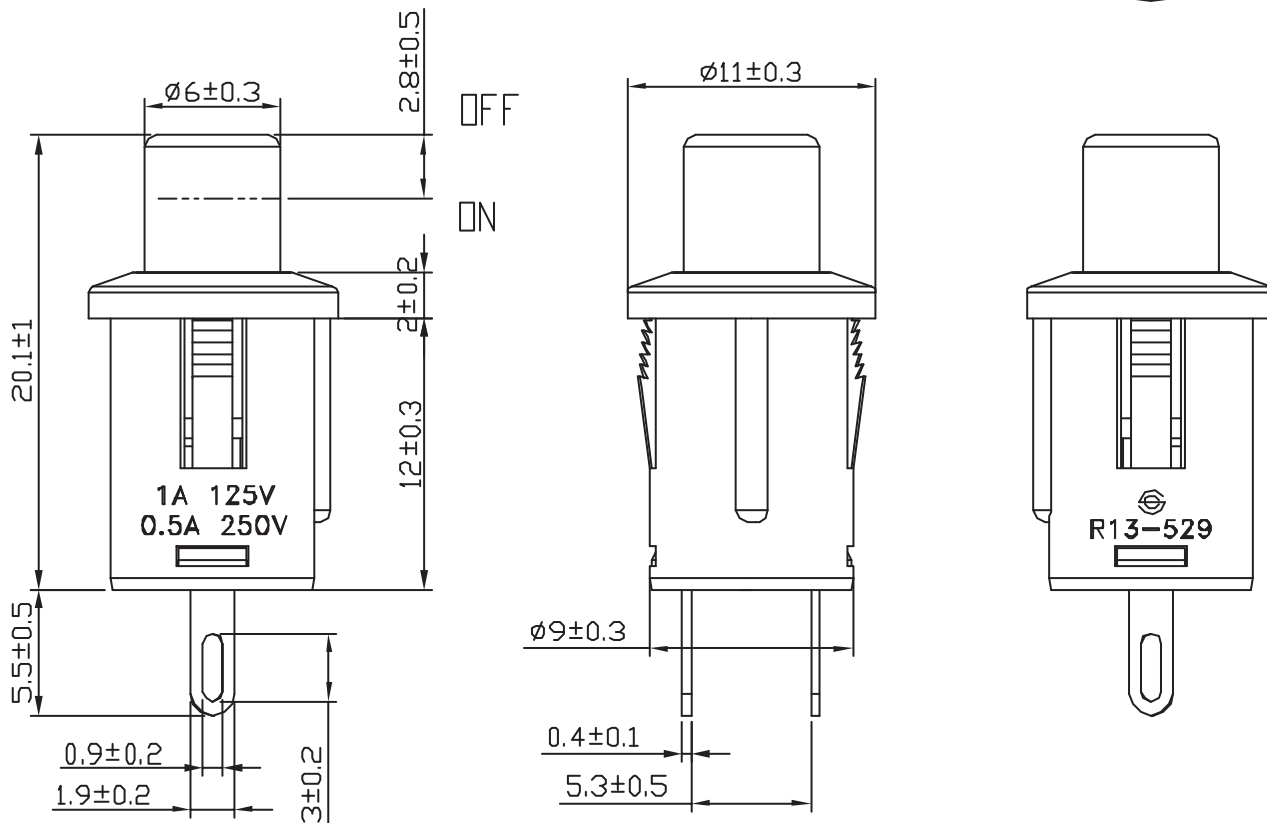
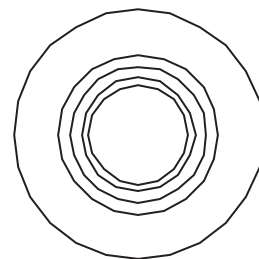


Rating	1A 125VAC/ 0.5A 250VAC	Mounting Hole	Circuit Diagram
Contact Resistance	50m ohm Max.		
Insulation Resistance	DC 500V 100M ohm Min.		
Dielectric Strength	AC 1000V 1minute		
Switch Function	2P SPST OFF-ON		
		THICKNESS	0.5~2.0mm

***MATERIAL:**

Frame: Black, PA#66+5%G
 Actuator: Red, PC, No limp
 Printed: None



C8\R13\R13-529B-05(1830805)

								△
								△
Date	Name	Description						NO
Drawn	Checked	Approved	SCI BOM NO.	1830805	Model Name	PUSH SWITCH		
曹盈芳	王佰山	李景煌	Customer No.	112-R13-529B-BR	Model No.	R13-529B-05	REV.	0
02/17/'09	02/18/'09	02/19/'09	Unit	mm	SHIN CHIN INDUSTRIAL CO., LTD.			

Mouser Electronics

Authorized Distributor

Click to View Pricing, Inventory, Delivery & Lifecycle Information:

[Shin Chin:](#)

[R13-529B-05-BR](#)