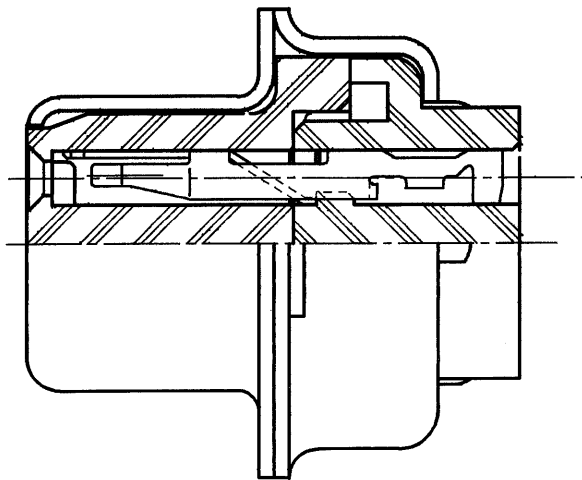
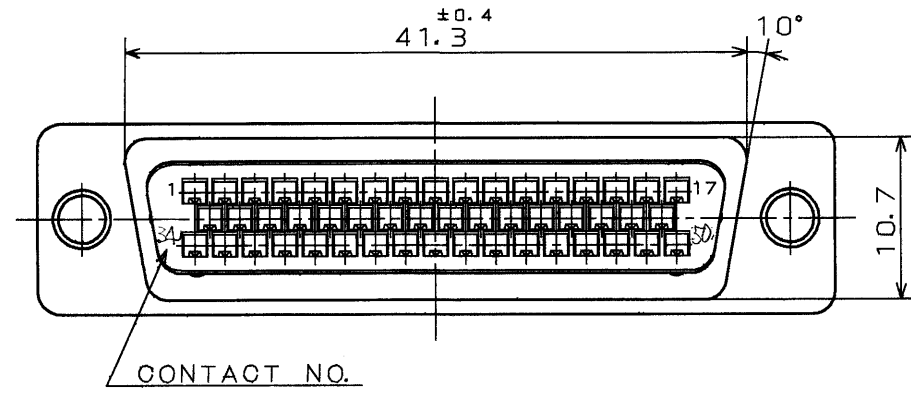
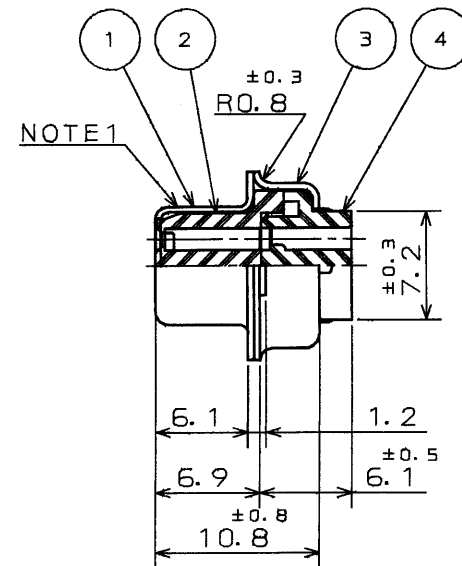
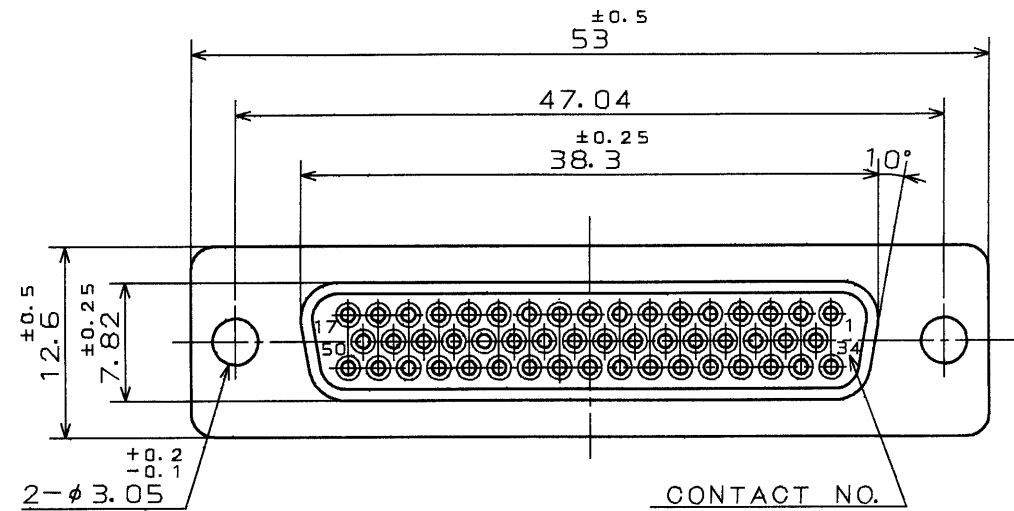


SJ021506-E

DWG. NO.

SYM	DCN NO.	DESCRIPTION	DATE	DRAWN	CHECKED	APP'D	APP'D



CONTACT INSERTED

- NOTE 1. MARKS "JAE" & PART NO. ARE SHOWN ON THIS PORTION.
 "-FO" IS NOT MARKED ON CONNECTOR.
- FOR CONTACT ARRANGEMENTS SEE DWG. SJ017233.
 - FOR PANEL COTOUT DIMENSIONS SEE DWG. SJ013596.
 - CONTACT TO BE ORDERED SEPARATELY.

DIMENSIONS ARE IN MILLIMETERS
 TOLERANCES ON: (INCHES)

DIMENSION	TOLERANCE	ANGLES	CONCENTRICITY
. ±	± 0.4	X° ± 1°	WITHIN T.I.R.
.X ±	± 0.13	X°X' ±	
.XX ±			
.XXX ±			

4	REAR INSULATOR	1	GLASS FILLED NYLON	(COLOR:BLACK)	UL94 V-0
3	REAR SHELL	1	STEEL	NICKEL PLATE	
2	FRONT INSULATOR	1	GLASS FILLED NYLON	(COLOR:BLACK)	UL94 V-0
1	FRONT SHELL	1	STEEL	NICKEL PLATE	
ITEM	DESCRIPTION	Q'TY	MATERIAL	FINISH	REMARKS
REFERENCE DOCUMENT		DATE	SCALE	JAE-CONNECTOR.COM	
JACS-3050-2		30. OCT. '90	2:1	Reference Only	
MATERIAL		DRAWN	TITLE		
		H. KATO	D02-50SF-N-FO		
TREATMENT		CHECKED	SERIES		
		Y. OTSUKA	D02		
FINISH		APP'D	MUSASHINO, AKISHIMA-SHI		
		Y. NISHINO	TOKYO, JAPAN		
		APP'D	DWG. NO.		
			SJ021506-E		

DCF-115A



SIZE A3 CDS-1201

Mouser Electronics

Authorized Distributor

Click to View Pricing, Inventory, Delivery & Lifecycle Information:

[JAE Electronics:](#)

[D02-50SF-N-F0](#)