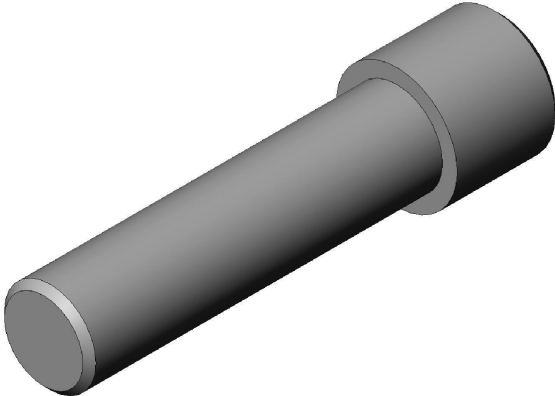


J225-50124

Product Details



Features

VG95234 Qualified Circular Waterproof Connector, Sealing Plug (for #16 contact)

Part Number	J225-50124
Status	Active
Number of Positions	
Rated Current	
Waterproof/ Non-waterproof	
Connector Type	Sealing Plug
Connector Style	
Contact Type	
Wire Termination Method	
Applicable Wire Size (AWG)	
Coupling Style	
Contact Size	#16
Shell Size	
MIL-spec Arrangement Code	
Contact Size X No. of Contacts	
Applicable Wire (Cross-	

sectional Area of Conductor)	
Insert Rotation Position	
Material of Contact	
Finish of Contact in Connecting Area	
Outer Shell Color	
Total Current Rating	
Contact Resistance	
Dielectric Withstanding Voltage (1 minute)	
Insulation Resistance	
Mating Durability	
Operating Temperature Range	
Applicable Accessory	
RoHS compliant	10 substances (2011/65/EU, (EU)2015/863)
REACH compliant	241 substances (27/06/2024)
Remarks	

Related information

Product Videos



Notice

- The values specified in this web site are only for reference. The products and their specifications are subject to change without notice. Contact our sales staff for further information before considering or ordering any of our products.
For purchase, a product specification must be agreed upon.

2. Users are requested to provide protection circuits and redundancy circuits to ensure safety of the equipment, and sufficiently review the suitability of JAE's products to the equipment.
3. The products presented in this web site are designed for the uses recommended below. We strongly suggest you contact our sales staff when considering use of any of the products in any other way than the recommended applications or for a specific use that requires an extremely high reliability.

(1) Applications that require consultation:

* Please contact us if you are considering use involving a quality assurance program that you specify or that is peculiar to the industry, such as:

Automotive electrical components, train control, telecommunications devices (mainline), traffic light control, electric power, combustion control, fire prevention or security systems, disaster evention equipment, etc.

* We may separately give you our support with a quality assurance program that you specify, when you think of a use such as :

Aviation or space equipment, submarine repeaters, nuclear power control systems, medical equipment for life support, etc.

(2) Recommended applications include:

* Computers, office appliances, telecommunications devices (terminals, mobile units), measuring equipment, audiovisual equipment, home electric appliances, factory automation equipment, etc

Mouser Electronics

Authorized Distributor

Click to View Pricing, Inventory, Delivery & Lifecycle Information:

[JAE Electronics:](#)

[J225-50124](#)