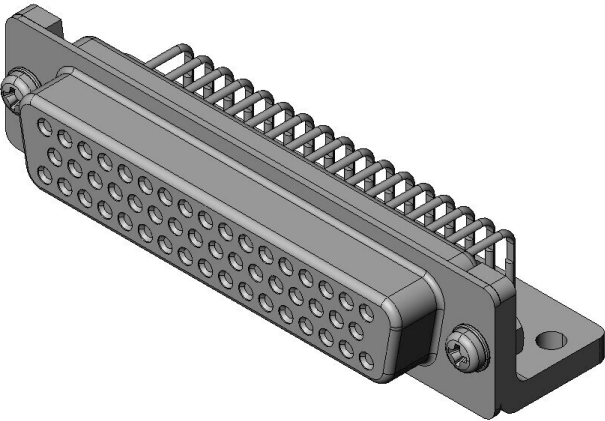


# DD-50SAF-N

## Product Details



### Features

D-sub Connector, PCB side connector, Right angle, 50 pos., Socket

Part Number	DD-50SAF-N
Status	Active
Number of Positions	50 pos.
Contact Pitch (mm)	
Rated Current (A)	5
Rated Voltage (V)	
Applicable Specifications	
Waterproof/ Non-waterproof	
Applications	
Connector Type	For board mounting, EMI suppression type
Connector Style	Right angle
Contact Type	Socket
Wire Termination Style	
Applicable Wire Size (AWG)	
EMI Shielded	Applicable
PCB Mounting Style	Soldering

SMD Flag	FALSE
Shell Size	D
Applicable Wire Size (mm <sup>2</sup> )	
Applicable Wire Size	
Dielectric Withstanding Voltage (VACr.m.s. 1minute)	1250
Insulation Resistance (megaohm min.)	5000
Contact Resistance (milliohm max.)	4
Operating Temperature Range (deg. C)	-55 to +105
Shell Type	
Material of Insulator	Glass-filled PBT (UL94V-0, Black)
Contact	With Contacts
Finish of Contact in Connecting Area	Gold plating
Finish of Contact in PCB Mounting Area	Gold plating
Mounting Method	Holes 3.05mm dia.
Screw Lock Assembly	None
Existence of Ferrite	FALSE
Applicable Contacts	
Applicable Product Part Numbers	
Use with Accessories	
Accessory Type	
RoHS compliant	10 substances (2011/65/EU, (EU)2015/863)
REACH compliant	240 substances (23/01/2024)
Combination	DDU-50PF-F0 DD-50PF-N

### Notice

1. The values specified in this web site are only for reference. The products and their specifications are subject to change without notice. Contact our sales staff for further information before considering or ordering any of our products.

For purchase, a product specification must be agreed upon.

2. Users are requested to provide protection circuits and redundancy circuits to ensure safety of the equipment, and sufficiently review the suitability of JAE's products to the equipment.

3. The products presented in this web site are designed for the uses recommended below. We strongly suggest you contact our sales staff when considering use of any of the products in any other way than the recommended applications or for a specific use that requires an extremely high reliability.

(1) Applications that require consultation:

- \* Please contact us if you are considering use involving a quality assurance program that you specify or that is peculiar to the industry, such as:

Automotive electrical components, train control, telecommunications devices (mainline), traffic light control, electric power, combustion control, fire prevention or security systems, disaster evention equipment, etc.

- \* We may separately give you our support with a quality assurance program that you specify, when you think of a use such as :

Aviation or space equipment, submarine repeaters, nuclear power control systems, medical equipment for life support, etc.

(2) Recommended applications include:

- \* Computers, office appliances, telecommunications devices (terminals, mobile units), measuring equipment, audiovisual equipment, home electric appliances, factory automation equipment, etc

# Mouser Electronics

Authorized Distributor

Click to View Pricing, Inventory, Delivery & Lifecycle Information:

[JAE Electronics:](#)

[DD-50SAF-N](#)