

NEW

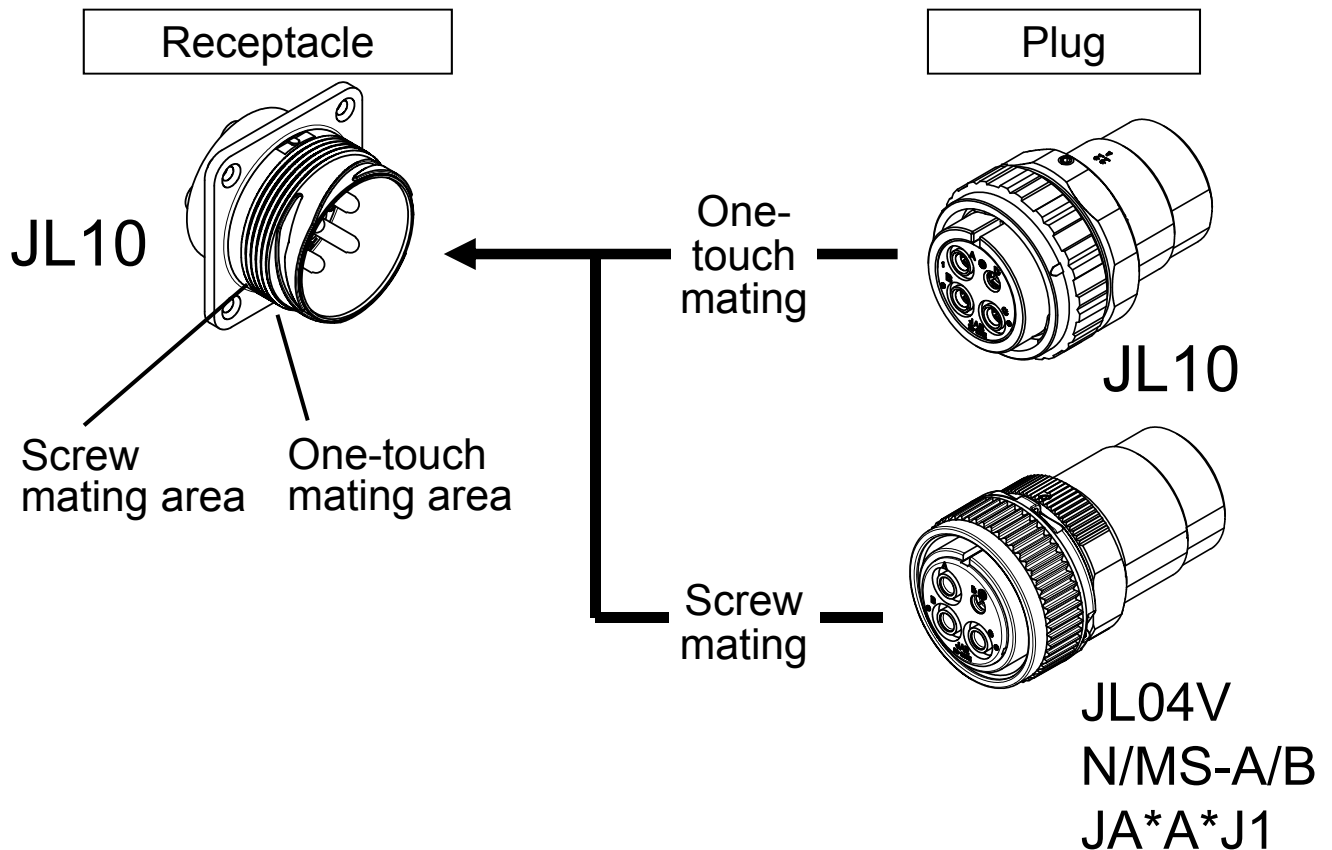


One-touch / Screw Mating Compatible
Circular Waterproof Connector

JL10 Series

CONNECTOR
MB-0263-5
February 2017

RoHS Compliant



The JL10 Series are TUV approved and UL recognized, one-touch locking, circular, waterproof connectors for industrial machinery, satisfying European safety standards.

The adopted one-touch lock mechanism has a superior mating and unmating operability and the product contributes to mating function ease. The JL10 receptacle offers a hybrid one-touch lock and threaded dual function mating. The connector offers mating compatibility with conventional MIL standard MS connectors and with our screw mating plugs (JL04V, N/MS, JA).

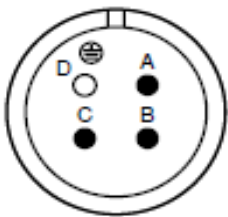
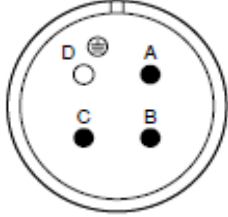
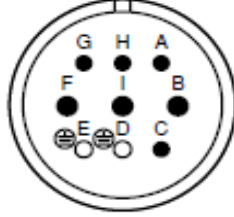
Applications

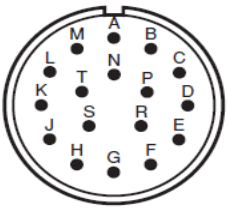
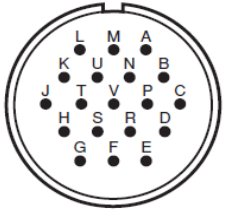
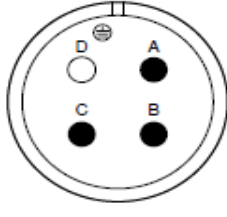
Industrial machineries, servo motors, robots, semiconductor-fabrication equipment, communication devices, measuring devices, broadcasting equipment and more.

Features

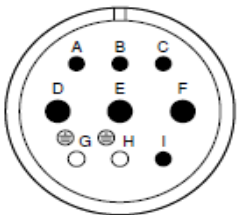
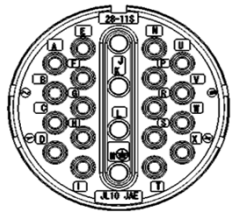
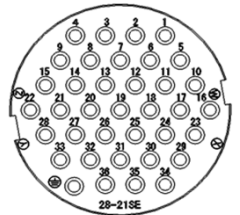
- Adopts a one-touch bayonet lock style mating allows secure mating even in narrow operating spaces or areas with poor visibility.
Superior connector operability improves mating and unmating function (reduced screw-down fastening, and eliminating torque control).
- JL10 Receptacle is an one-touch / screw mating hybrid type.
One-touch mating: When mated with JL10 plug
Screw mating: MIL-standard MS connector and our standard N/MS-A/B Series, JL04V Series, JA*A Series using J1 type plug.
- With guide mark (color: white) on JL10 Series receptacle and plug, mating assurance can be confirmed by sight.
- Low-profile compact design, and direction of the cable leader of angled type can be set in arbitrary 8 orientation in 45 degrees increments.
- Same cable clamp as used for JL04V.
- UL recognized and TÜV approved product.
- IP67 waterproof and dustproof as a mated pair and individually of the receptacle.
- Superior environmental performance against vibration and oil.

Arrangements and General Specifications

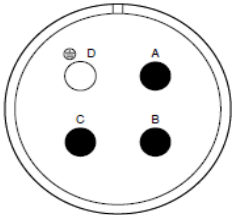
Arrangement	18-10		20-4		20-18	
Contact Arrangement						
Size x Number of Contact	#12 x 4		#12 x 4		#12 x 3	#16 x 6
Rated Current	23A / pos.		23A / pos.		23A / pos.	13A / pos.
Rated Voltage	250VAC	500VAC	250VAC	500VAC	250VAC	100VAC
Overvoltage Category	III	II	III	II	II	
Pollution Level	3	2	3	2	2	
Dielectric Withstanding Voltage	2000VAC (per minute)		2000VAC (per minute)		2000VAC (per minute)	
Insulation Resistance	1000MΩ min. (DC500V energized)		1000MΩ min. (DC500V energized)		1000MΩ min. (DC500V energized)	
Waterproof Performance	IP67		IP67		IP67	
Termination Method	Soldering		Soldering		Soldering	
Durability	500 times		500 times		500 times	

Arrangement	20-29	22-14	22-22	
Contact Arrangement				
Size x Number of Contact	#16 x 17	#16 x 19	#8 x 4	
Rated Current	13A / pos.	13A / pos.	46A, 57A (Note 1) / pos.	
Rated Voltage	500VAC	500VAC	250VAC	500VAC
Overvoltage Category	---	---	III	II
Pollution Level	---	---	3	2
Dielectric Withstanding Voltage	1000VAC (per minute)	1000VAC (per minute)	2000VAC (per minute)	
Insulation Resistance	1000MΩ min. (DC500V energized)	1000MΩ min. (DC500V energized)	1000MΩ min. (DC500V energized)	
Waterproof Performance	IP67	IP67	IP67	
Termination Method	Soldering	Soldering	Soldering	
Durability	500 times	500 times	500 times	

Note 1: When using 8mm² or 10mm² with arrangement 22-22 (Soldering Type).

Arrangement	24-11		28-11		28-21
Contact Arrangement					
Size x Number of Contact	#8 x 3	#12 x 6	#12 x 4	#16 x 18	#16 x 37
Rated Current	46A / pos.	23A / pos.	23A / pos.	13A / pos.	13A / pos.
Rated Voltage	250VAC	500VAC	250VAC	100VAC	500VAC
Overtoltage Category	III	II	III		---
Pollution Level	3	2	2 (Note: mating area is 3)		---
Dielectric Withstanding Voltage	2000VAC (per minute)		2000VAC (per minute)		1000VAC (per minute)
Insulation Resistance	1000MΩ min. (DC500V energized)		1000MΩ min. (DC500V energized)		1000MΩ min. (DC500V energized)
Waterproof Performance	IP67		IP67		IP67
Termination Method	Soldering		Soldering		Soldering
Durability	500 times		500 times		500 times

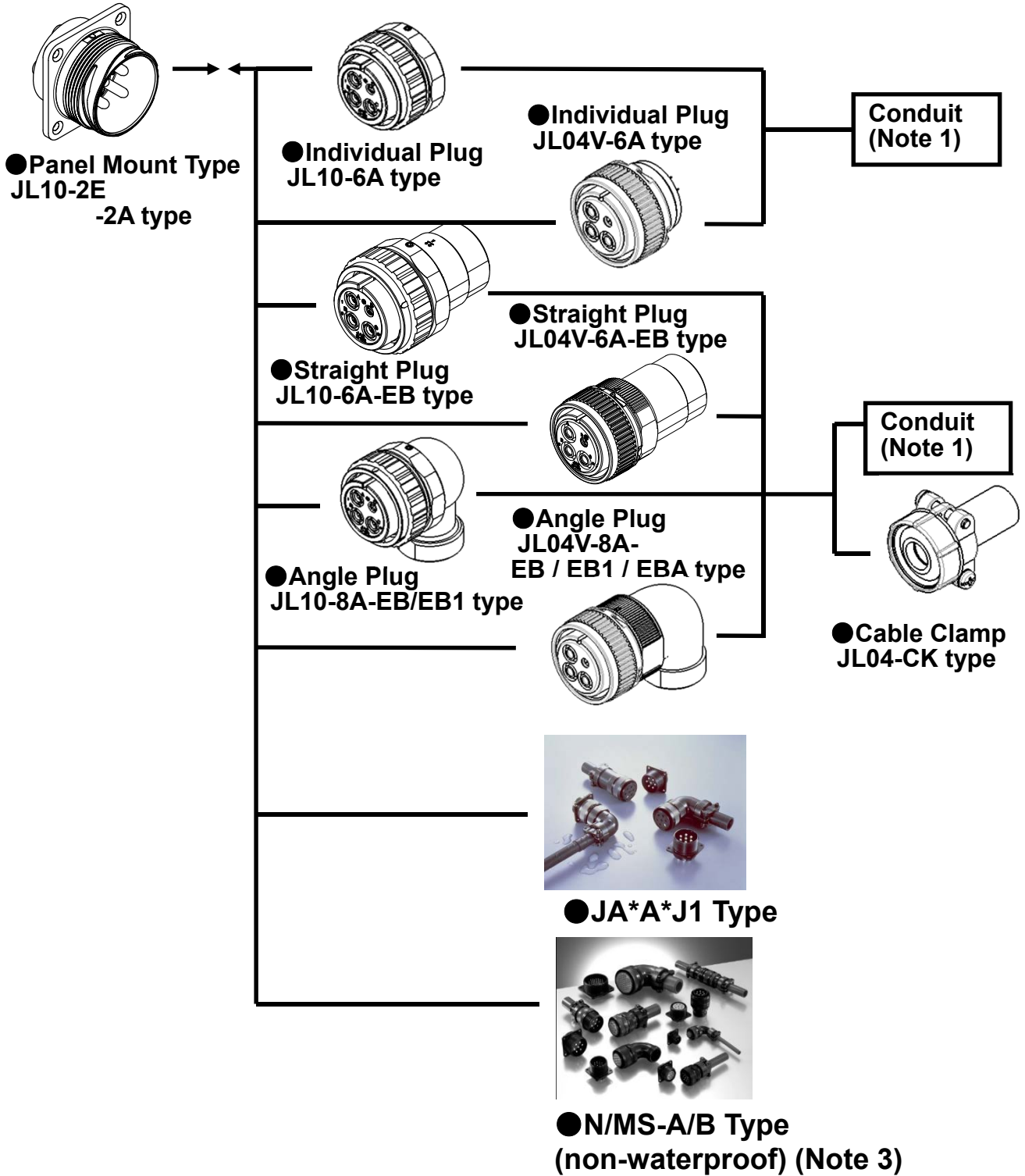
(Under development)

Arrangement	32-17	
Contact Arrangement		
Size x No. of Contact	#4 x 4	
Rated Current	80A / pos.	
Rated Voltage	250VAC	500VAC
Overtoltage Category	III	II
Pollution Level	3	2
Dielectric Withstanding Voltage	2000VAC (per minute)	
Insulation Resistance	1000MΩ min. (DC500V energized)	
Waterproof Performance	IP67	
Termination Method	Receptacle: Crimping Plug: Soldering	
Durability	500 times	

	Components	Material / Finish
Receptacle	Contact	Copper alloy / silver plating
	Earth Pin	Copper alloy / nickel plating
	Front Insulator	Silicone rubber
	Rear Insulator	Synthetic resin
	Shell	Aluminum alloy / zinc plating
	Retaining Ring	Copper alloy / zinc plating
Individual Plug	Set Screw	Steel / zinc plating
	O Ring	Synthetic rubber
	Retaining Ring	Copper alloy / zinc plating
	Wave Spring	Stainless Steel
	C Type Ring	Stainless Steel
	Contact	Copper alloy / silver plating
	Front Insulator	Synthetic resin
	Rear Insulator	Synthetic resin
	Assembly Nut	Aluminum alloy / zinc plating
	Coupling Nut	Aluminum alloy / zinc plating
	Barrel	Aluminum alloy / zinc plating
Straight Plug Angle Plug	Endbell	Aluminum alloy / zinc plating
	Set Screw	Steel / zinc plating
	O Ring	Synthetic rubber
	Retaining Ring	Copper alloy / zinc plating
	Wave Spring	Stainless Steel
	C Type Ring	Stainless Steel
	Contact	Copper alloy / silver plating
	Front Insulator	Synthetic resin
	Rear Insulator	Synthetic resin
	Assembly Nut	Aluminum alloy / zinc plating
	Coupling Nut	Aluminum alloy / zinc plating
	Barrel	Aluminum alloy / zinc plating

Line-up and Combinations

Receptacle Side	Plug Side		
	One-touch Mating	Screw Mating	Accessory



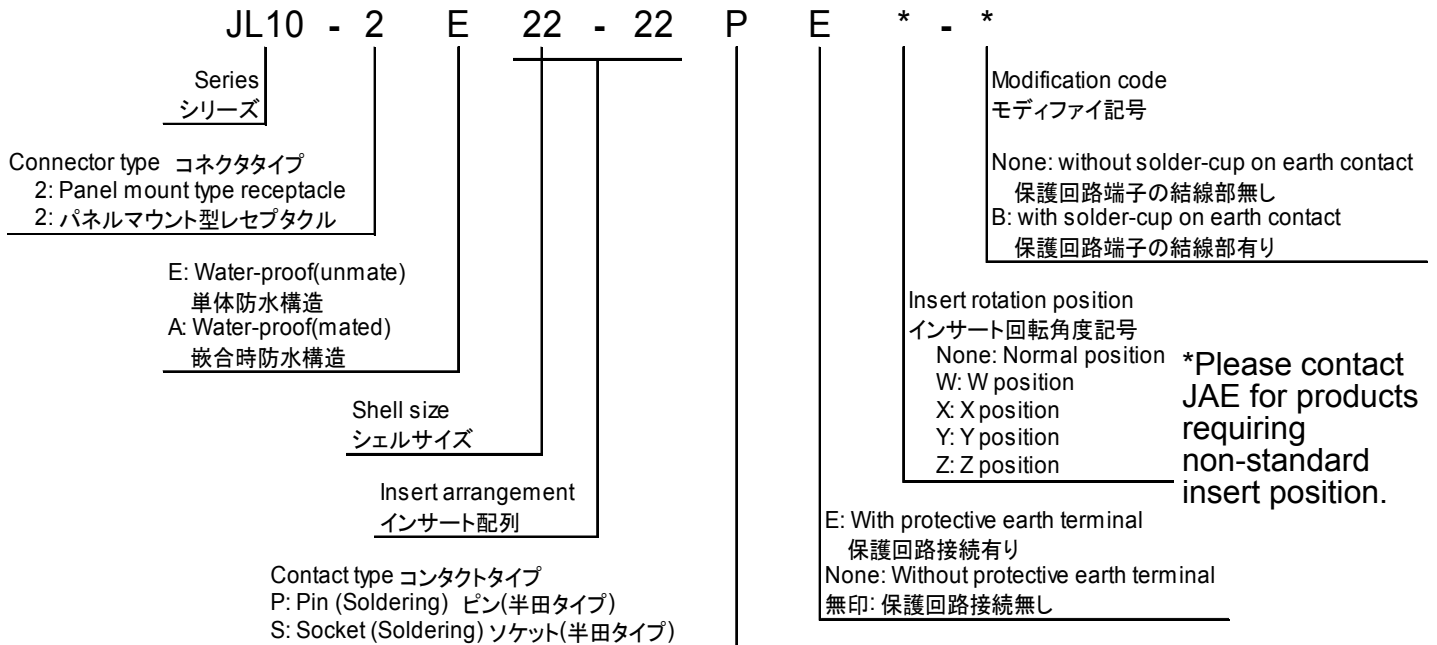
Note 1) Please contact us or conduit manufacturer when for the use of a conduit.

Note 2) Please refer to individual catalogs for consideration of JL04V Series, N/MS-A/B Series, and J1 type JA*A Series.

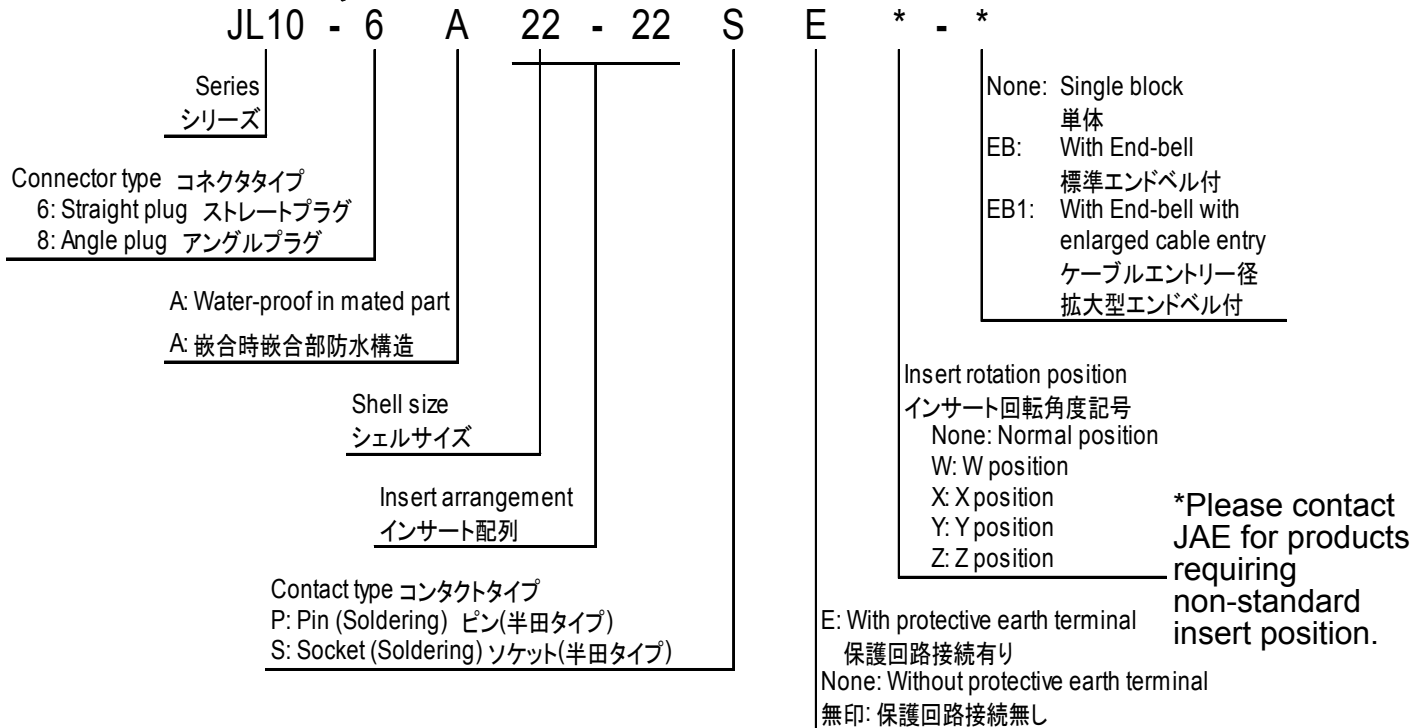
Note 3) Becomes non-waterproof when assembled with N/MS-A/B type plug.

Ordering Information

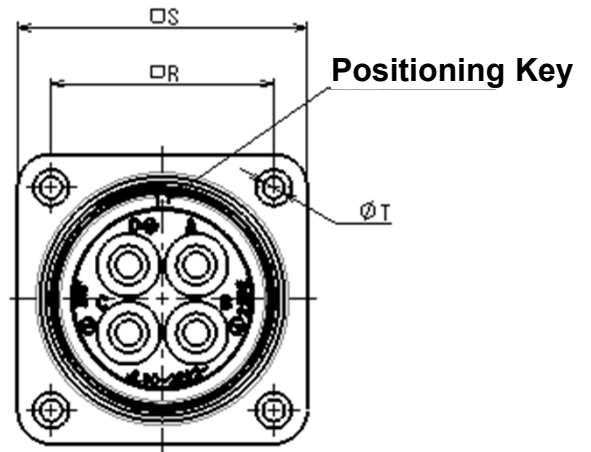
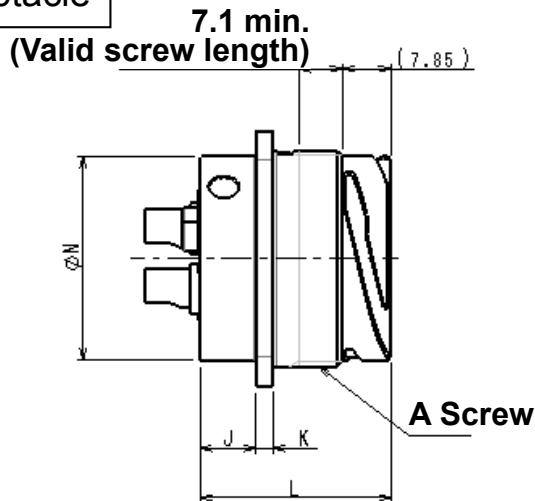
《RECEPTACLE レセプタクル》



《PLUG プラグ》

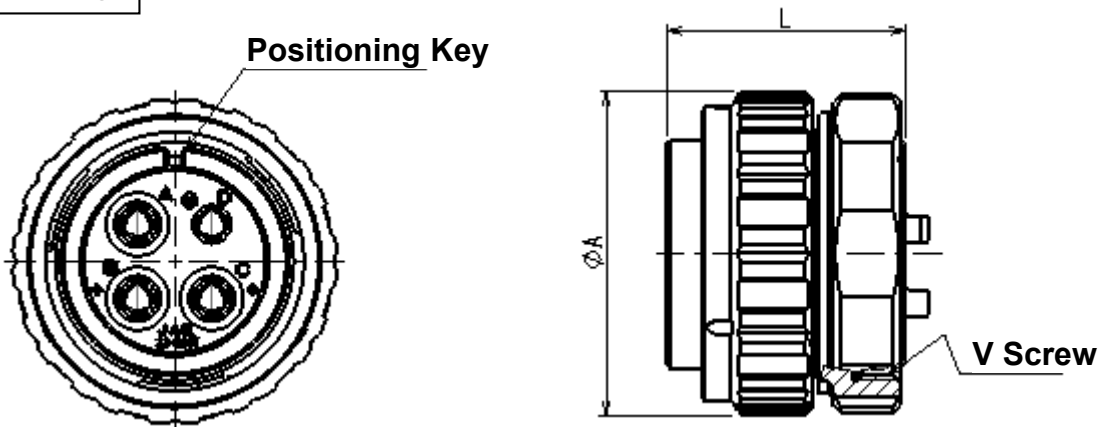


Receptacle



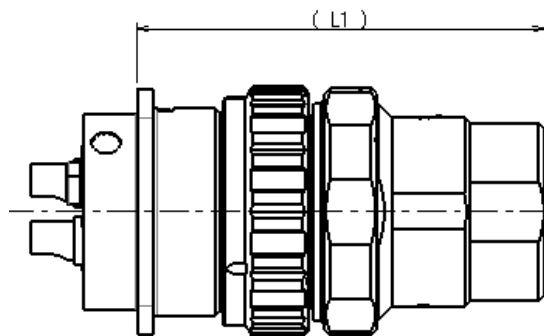
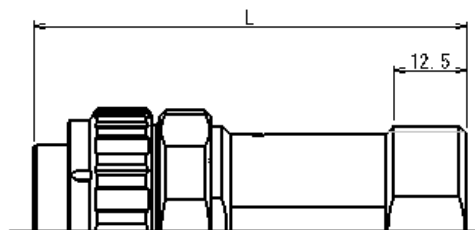
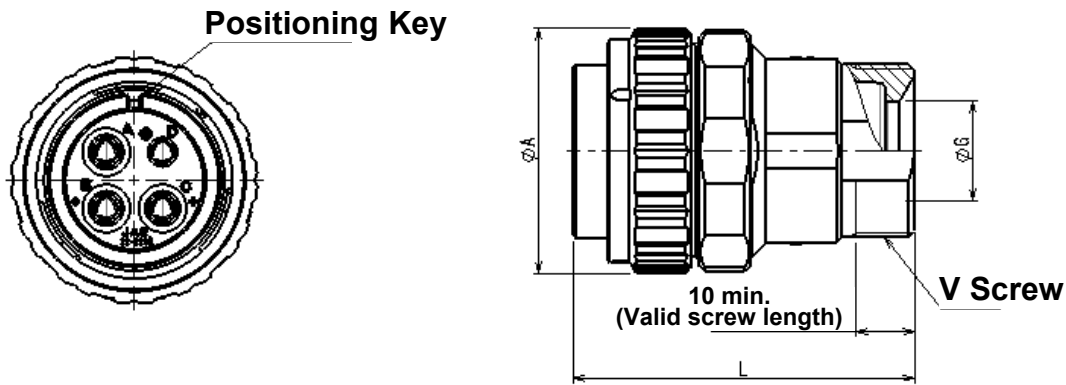
Shell Size	A Screw	K ±0.3	J ±0.3	L ±0.3	Dia. N +0 -0.4	□R ±0.13	□S ±0.79	Dia. T +0.2 -0.1
18	1 1/8-18UNEF-2A	2.7	8.25	30	27	26.97	34.9	3.1
20	1 1/4-18UNEF-2A	2.7	7.05	28.8	26.9	29.36	38.1	3.1
22	1 3/8-18UNEF-2A	2.7	9.1	30.85	33	31.75	41.3	3.1
24	1 1/2 -18UNEF-2A	2.7	9.1	32.45	36	34.92	44.4	3.73
28	1 3/4 -18UNES-2A	2.7	9.38	32.7	41.5	39.67	50.8	3.73
32	2 -18UNS-2A	4.9	13.2	39.4	47.85	44.45	57.2	4.4

Individual Plug



Shell Size	Dia. A ±0.8	L	V Screw
18	35.85	30	1 3/16-18UNEF-2B
20	40.5	31	1 3/8-18UNEF-2B
22	42.2	31	1 7/16-18UNEF-2B
24	45.5	31	1 9/16-18UNEF-2B
28	51.5	26.3	1 13/16-18UNS-2B
32	58.5	31.2	2 1/8-16UN-2B

Straight Plug



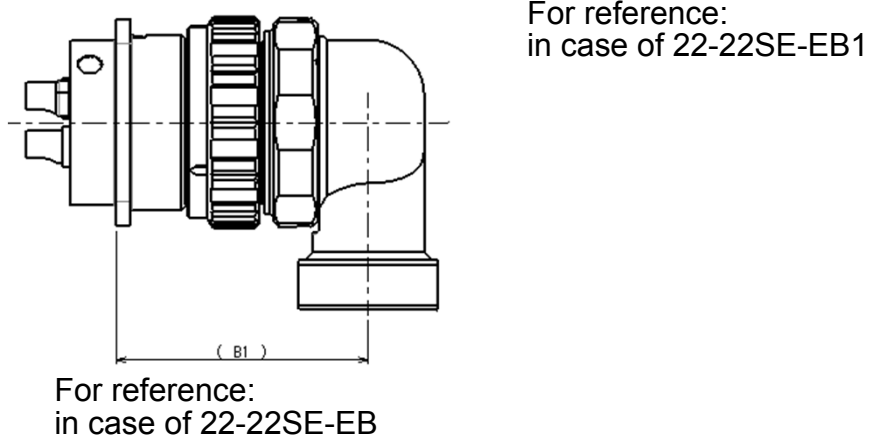
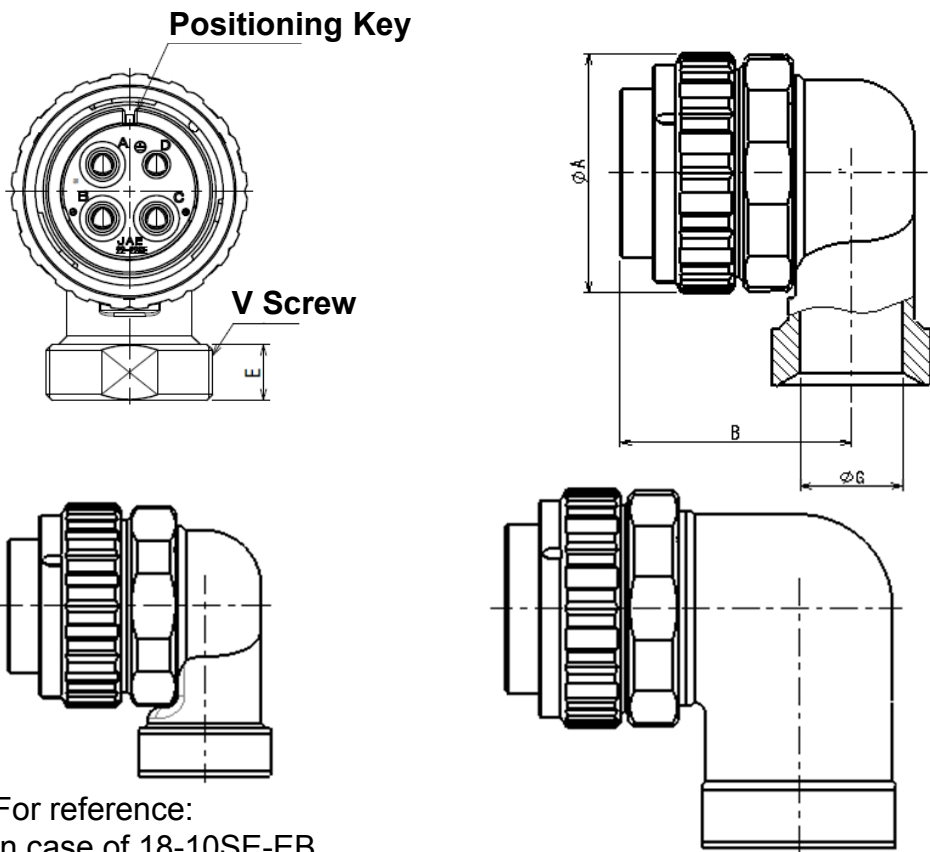
For reference:
in case of 22-22SE-EB1

For reference:
in case of 22-22SE-EB

Shell Size	ϕA ± 0.8	ϕG ± 0.5	L ± 0.8	(L1)	V Screw
18	35.85	15	51.05	60.6	1-20UNEF-2A
20	40.5	17	52.1	61.9	1 3/16-18UNEF-2A
22	42.2	17	58.65	68.5	1 3/16-18UNEF-2A
24	45.5	20	65.81	76.2	1 7/16-18UNEF-2A
28	51.5	20	70.0	75.5	1 7/16-18UNEF-2A
32	58.6	30	99.6	114.2	1 4/3-18UNS-2A

22SE-EB1	42.2	22	74.35	84.15	1 7/16-18UNEF-2A
----------	------	----	-------	-------	------------------

Angle Plug



Shell Size	ϕA ± 0.8	B ± 0.8	(B1)	E ± 0.5	ϕG ± 0.5	V Screw
18	35.85	34.55	44.4	8.5	16	1-20UNEF-2A
20	40.5	54.3	64.1	10	17	1 3/16-18UNEF-2A
22	42.2	40.65	50.45	10	18	1 3/16-18UNEF-2A
24	45.5	59.76	70.2	10	20	1 7/16-18UNEF-2A
28	51.5	64.0	69.4	10	20	1 7/16-18UNEF-2A
32	58.6	66.9	81.2	10	30	1 4/3-18UNS-2A
22SE-EB1	42.2	51.6	61.4	10	22	1 7/16-18UNEF-2A

Accessory: Cable Clamp (sold separately)

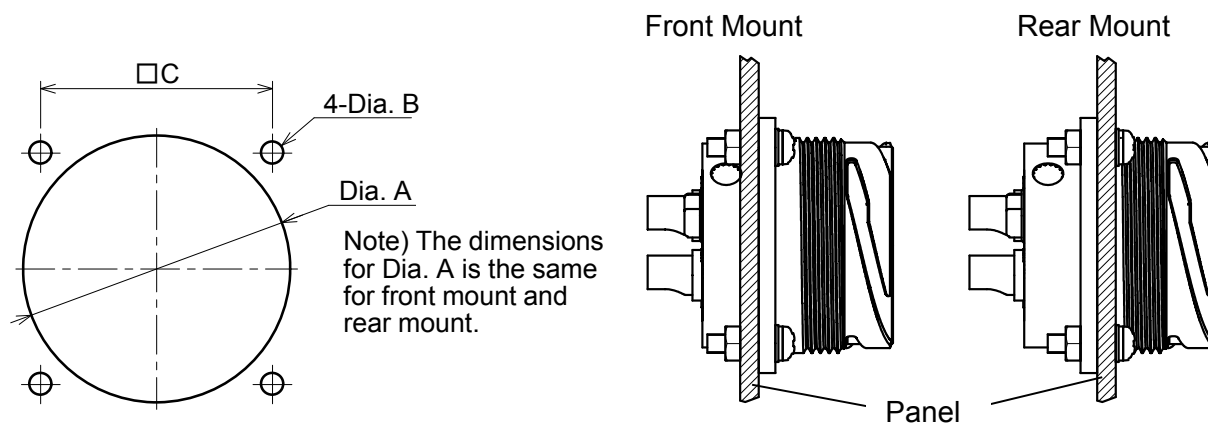
Cable clamp is the same as used with our JL04V Series.

Shell Size	Product Name	Applicable Cable O.D.
18	JL04-18CK(07)-*-R	φ5 to φ8
18	JL04-18CK(13)-*-R	φ11 to φ14.1
20, 22	JL04-2022CK(09)-*-R	φ6.5 to φ9.5
20, 22	JL04-2022CK(12)-*-R	φ9.5 to φ13
20, 22	JL04-2022CK(14)-*-R	φ12.9 to φ16
24, 28, 22-22EB1	JL04-2428CK(11)-*-R	φ9 to φ12
24, 28, 22-22EB1	JL04-2428CK(14)-*-R	φ12 to φ15
24, 28, 22-22EB1	JL04-2428CK(17)-*-R	φ15 to φ18
24, 28, 22-22EB1	JL04-2428CK(20)-*-R	φ18 to φ20

Panel Mount Dimensions for Reference

- (1) Front mount: Receptacle is attached to the front side of the panel and enclosure.
Cable termination side will be inside when attached.
- (2) Rear mount: Receptacle is attached to the back side of the panel and enclosure.
Please be aware of the panel thickness when concerning this product.

* Mounting dimensions are the same as our JL04V Series.



Shell Size	Dia. A ±0.5	Dia. B	□C±0.13	Mounting Screw (for reference)		Max. Panel Thickness for Rear Mount
				Metric screw thread	Unified screw thread	
18	30.2	3.3	26.97	M 3	#4-40	3mm max.
20	33.4	3.3	29.36	M 3	#4-40	3mm max.
22	36.6	3.3	31.75	M 3	#4-40	3mm max.
24	39.7	3.8	34.92	M 3.5	#6-32	4mm max.
28	46.1	3.8	39.67	M 3.5	#6-32	4mm max.
32	52.4	4.4	44.45	M 4	#8-32	6mm max.

Accessory: Gasket (Sold separately)

There is a gasket to prevent water immersion from the panel hole (main body) of the enclosure when receptacle is mounted to the panel (enclosure). The gaskets are the same as ones used for our JL04V Series.

Note 1) Beside the use of a gasket, there is a need for countermeasure to prevent water immersion from the screw holes. Each user to prepare countermeasure.

Shell Size	Gasket No.	SJ Drawing
18	075-50157	SJ009289
20	075-50158	SJ009289
22	075-50159	SJ009289
24	075-50160	SJ009289
28	075-50161	SJ009289
32	075-50162	SJ009289

Part Number and Product Drawing List

Contact Arrangement	Receptacle Part Number	Receptacle Product Drawing No.	Plug Part Number	Plug Product Drawing No.
18-10	JL10-2E18-10PE-B JL10-2E18-10PE	SJ116011 SJ112315	JL10-6A18-10SE	SJ112323
			JL10-6A18-10SE-EB	SJ112322
			JL10-8A18-10SE-EB	SJ112321
20-18	JL10-2E20-18PE-B	SJ115406	JL10-6A20-18SE	SJ115407
			JL10-6A20-18SE-EB	SJ115408
			JL10-8A20-18SE-EB	SJ115409
20-4	JL10-2E20-4PE-B	SJ115402	JL10-6A20-4SE	SJ115403
			JL10-6A20-4SE-EB	SJ115404
			JL10-8A20-4SE-EB	SJ115405
20-29	JL10-2A20-29P	SJ115410	JL10-6A20-29S	SJ115411
			JL10-6A20-29S-EB	SJ115412
			JL10-8A20-29S-EB	SJ115413
	JL10-2A20-29S	SJ117463	JL10-6A20-29P	SJ117466
			JL10-6A20-29P-EB	SJ117467
			JL10-8A20-29P-EB	SJ117470
22-14	JL10-2A22-14P	SJ115414	JL10-6A22-14S-EB	SJ115415
			JL10-8A22-14S-EB	SJ115416
	JL10-2A22-14S	SJ115417	JL10-6A22-14P-EB	SJ115418
			JL10-8A22-14P-EB	SJ115419
22-22	JL10-2E22-22PE-B JL10-2E22-22PE	SJ115881 SJ112313	JL10-6A22-22SE	SJ112320
			JL10-6A22-22SE-EB	SJ112317
			JL10-6A22-22SE-EB1	SJ112319
			JL10-8A22-22SE-EB	SJ112316
			JL10-8A22-22SE-EB1	SJ112318
	JL10-2A22-22SE	SJ114872	JL10-6A22-22PE-EB	SJ117517
			JL10-8A22-22PE-EB	SJ114873
24-11	JL10-2E24-11PE-B	SJ115420	JL10-6A24-11SE	SJ115421
			JL10-6A24-11SE-EB	SJ115422
			JL10-8A24-11SE-EB	SJ115423
28-11	JL10-2A28-11SE-B	SJ117434	JL10-6A28-11PE	SJ117436
			JL10-6A28-11PE-EB	SJ117438
			JL10-8A28-11PE-EB	SJ117441
28-21	JL10-2A28-21S	SJ117443	JL10-6A28-21P	SJ117444
			JL10-6A28-21P-EB	SJ117445
			JL10-8A28-21P-EB	SJ117446
32-17 (Under development)	JL10-2E32-17PCE-B (Crimp)	SJ115424	JL10-6A32-17SE	SJ115425
			JL10-6A32-17SE-EB	SJ115426
			JL10-8A32-17SE-EB	SJ115427

Specifications: JACS-50101

Handling Instructions: JAHL-50101

Cautions

<<JL10 Caution 1>>



Please note that JL10 plug will not mate with JL04V receptacle.

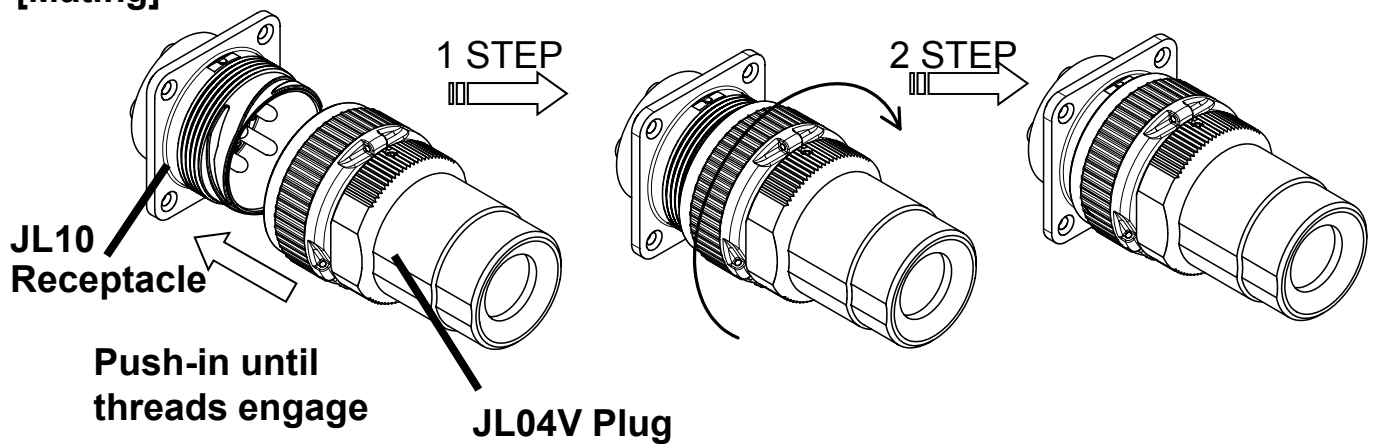
	Receptacle	Plug	Mating
Combinations	JL04V	JL10	Unmatable
	JL04V	JL04V	Matable
	JL10	JL04V	Matable
	JL10	JL10	Matable

<<JL10 Caution 2>>

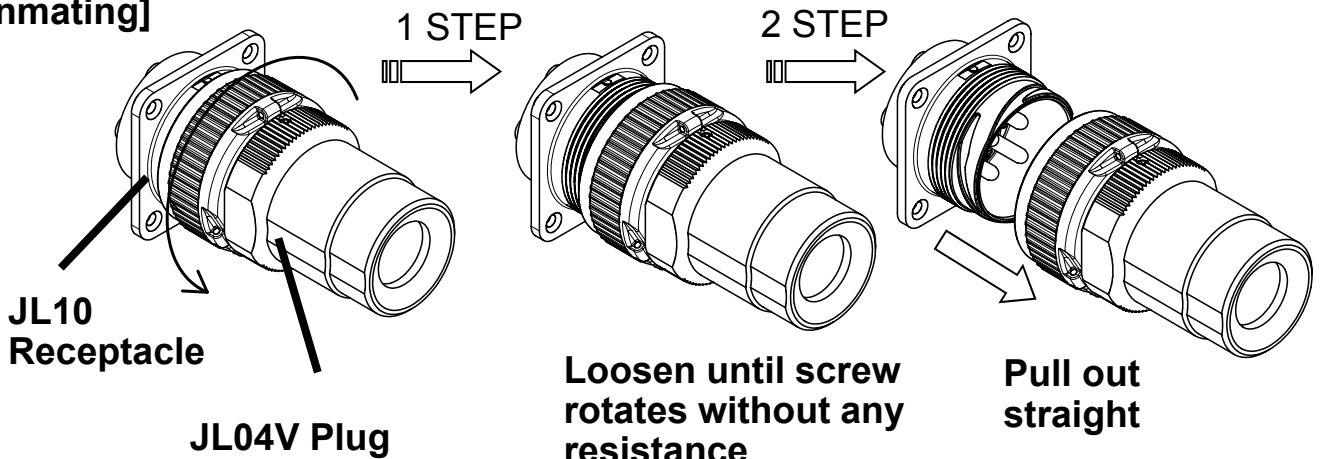


When using JL10 receptacle and JL04 plug mating and unmating operation will be the two steps as shown below.

[Mating]



[Unmating]



Mouser Electronics

Authorized Distributor

Click to View Pricing, Inventory, Delivery & Lifecycle Information:

[JAE Electronics:](#)

[JL10-2E22-22PE](#) [JL10-2E18-10PE](#) [JL10-8A18-10SE-EB](#) [JL10-8A22-22SE-EB](#)