

**NEW**

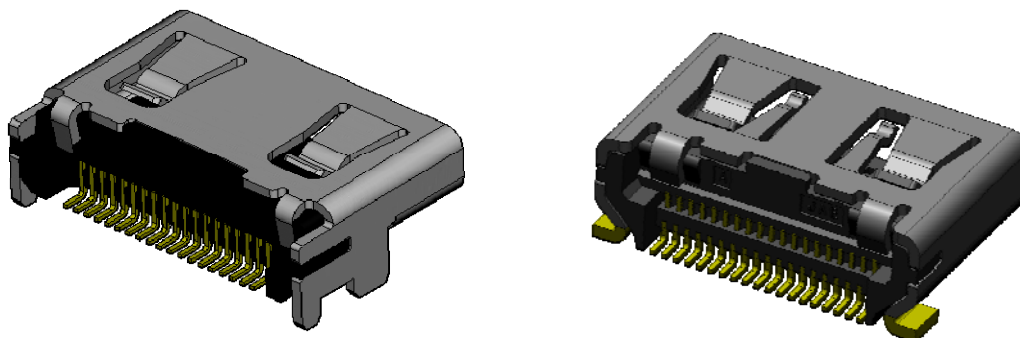
HDMI Standard Type C HDMI Mini Connector

CONNECTOR

MB-0186-2

March 2012

## DC2 Series

**RoHS Compliant**

Recently for portable devices, compatibility with high-definition digital video is becoming the standard. The DC2 series is a connector compliant with the HDMI Type C standard digital interface.

\*HDMI stands for High-Definition Multimedia Interface and is a registered trademark of HDMI Licensing, LLC.

### Features

- 0.4mm pitch, 19 position, compact connector
- Impedance-matching design compliant with high-speed transmission.
- Pin alignment designed for low cross-talk.
- Available in shell DIP type and all SMT type.

### Applicable Markets

High-definition camcorder, digital still camera (single-lens reflex, compact), tablet PC, portable game device, etc.

### General Specifications

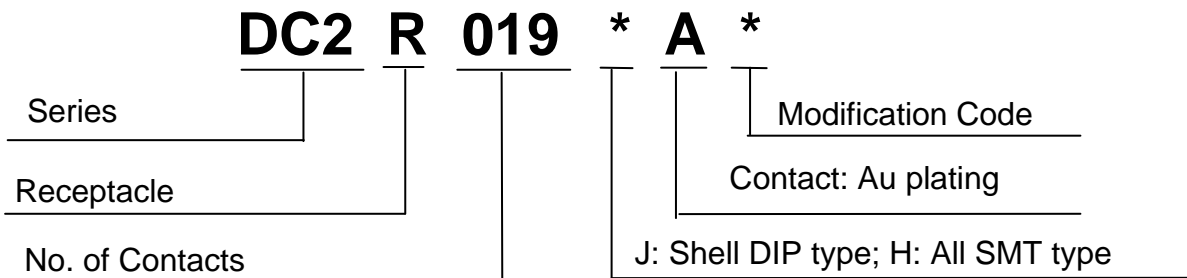
- No. of Contacts: 19 position
- Contact Resistance: Contact Area, 30m  $\Omega$  max.; Shell Area, 50m  $\Omega$  max.
- Dielectric Withstanding Voltage: AC500Vr.m.s. per minute (when not mated)
- Operating Temperature: -20 Deg. C to 85 Deg. C
- Rated Current: 0.5A max per contact
- Durability: 5,000 mating cycles
- Impedance: 100  $\Omega$   $\pm$  25% (connector area)

Materials and Finishes

Component	Material / Finish
Insulator	Heat resistant plastic
Contact	Copper alloy / Au plating over Ni
Shell	Copper alloy / Tin plating over Ni or Partial Au plating over Ni

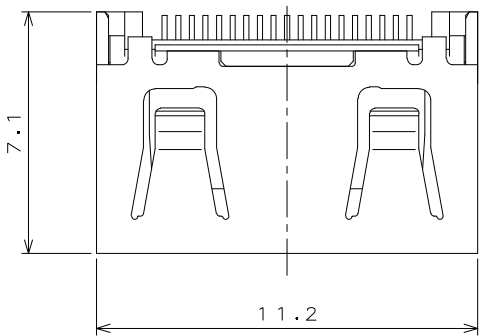
Ordering Information

Receptacle



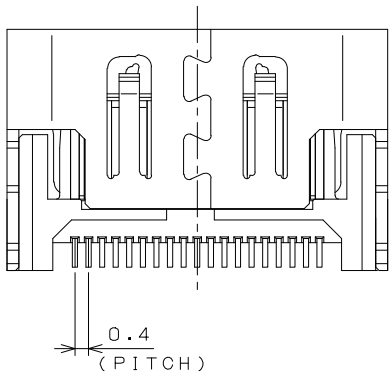
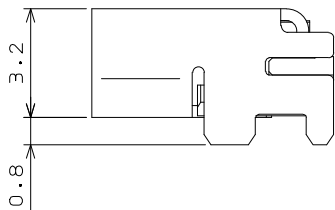
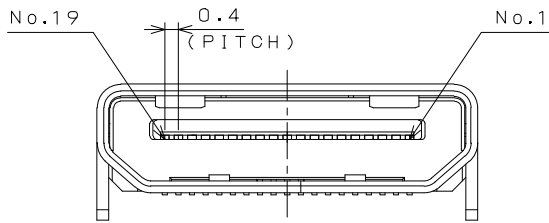
# Receptacle DC2R019JA5 (SJ109132) DC2R019JA7 (SJ109296)

Shell DIP Type

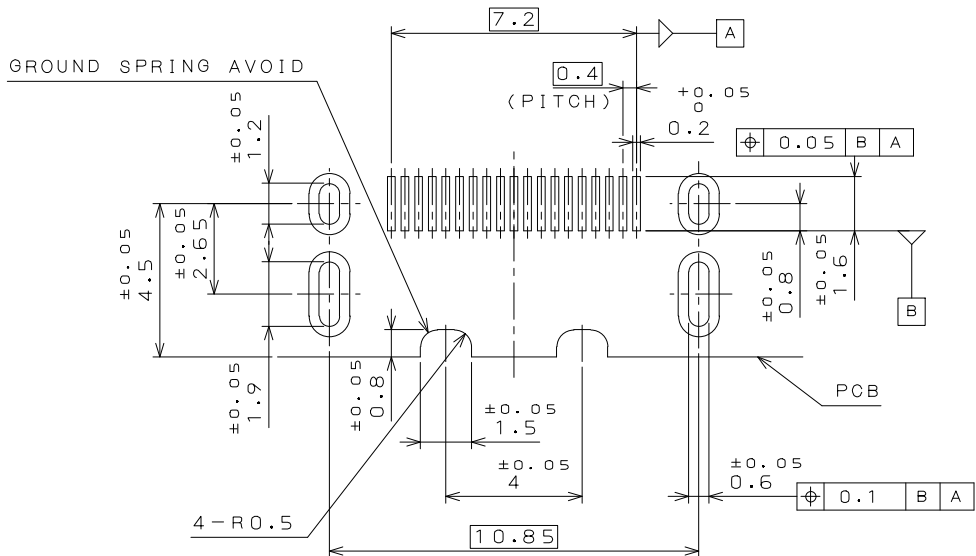


DC2R019JA5 is different from DCR019JA7 on insulator material only.

Part Number	Insulator Material
DC2R019JA5	9T Nylon (UL94 HB)
DC2R019JA7	9T Nylon (UL94 V0)



\*Please refer to SJ drawing when considering this product.



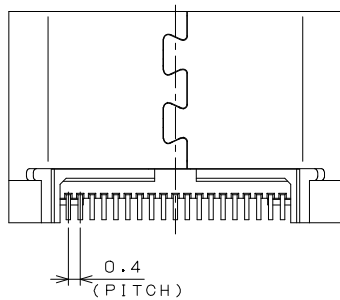
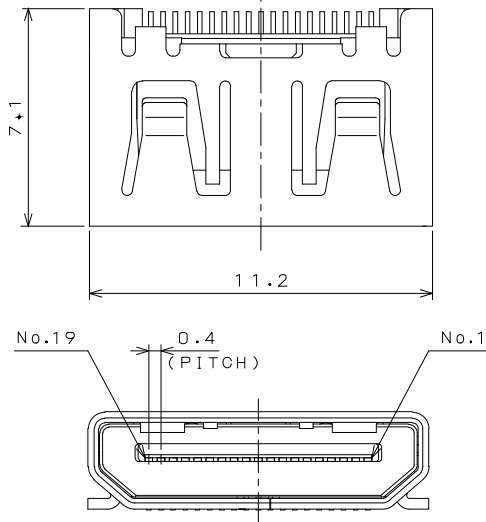
## Applicable Board Dimension



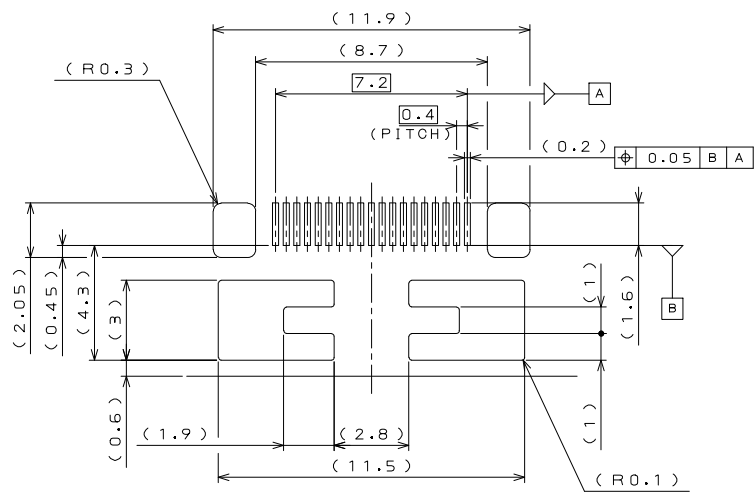
# Receptacle

## DC2R019HA2 (SJ111176)

All SMT Type



\*Please refer to SJ drawing when considering this product.



### Applicable Board Dimension

**Notice:** Products shown in this brochure are made for the applications listed below. However, if the above-mentioned products are to be used in aerospace devices, marine cable-connection devices, atomic power control systems, medical equipment for life-support systems, or any other specific application requiring extremely high reliability, please contact JAE for further information.

Recommended applications: Computers, Office machines, Measuring devices, Telecommunication devices (Terminals, Mobile devices), AV devices, Household applications, FA devices, etc.

**Japan Aviation Electronics Industry, Limited**

Product Marketing Division  
 Aobadai Building, 3-1-19, Aobadai, Meguro-ku, Tokyo 153-8539  
 Phone: +81-3-3780-2787 FAX: +81-3-3780-2946

# Mouser Electronics

Authorized Distributor

Click to View Pricing, Inventory, Delivery & Lifecycle Information:

[JAE Electronics:](#)

[DC2R019JA7R1700](#)